

## **Appendix B**

### **Table of Standard Fixture Wattages**

# Appendix B: Table of Standard Fixture Wattages

The 2005 SPC-DR Program Table of Standard Fixture Wattages was generated under the following guidelines:

1. All fixtures must comply with Title 10 of the Code of Federal Regulations (same as CWT) as well as California's Title 24 Regulations; and
2. All fixtures using 4-foot or U-tube "standard" 40 W fluorescent lamps (F40T12 or FU40T12) are excluded, with the exception of equivalent "standard" high-output and instant-start fixtures. All fixtures with 8-foot "standard" 75 W lamps (F96T12) are excluded *as well as* all fixtures with 8-foot "high output" 110 W lamps (F96T12HO).

The motivation for the exclusion of these "standard" lamp fixtures is that most "cool-white" and "warm-white" general purpose lamps of the above types do not meet federal code (Title 10).

New codes that do not conform to these guidelines will not be added to the 2005 SPC-DR Program table.

<b>SORTED by</b>						
FIXTURE CODE	LAMP CODE	DESCRIPTION	BALLAST	LAMP/ FIXT	NOM. W/LAMP	kW/ FIXT
<b>Compact Fluorescent Fixtures</b>						
CF/SCRWN	CFSCRWN	Compact Fluorescent, (1) 11W screw-in lamp, Twin or Quad, Globe or Capsule	Mag-STD	1	11	0.011
CF/SCRWN	CFSCRWN	Compact Fluorescent, (1) 13W screw-in lamp, Twin or Quad, Globe or Capsule	Mag-STD	1	13	0.013
CF/SCRWN	CFSCRWN	Compact Fluorescent, (1) 15W screw-in lamp, Twin or Quad, Globe or Capsule	Mag-STD	1	15	0.015
CF/SCRWN	CFSCRWN	Compact Fluorescent, (1) 16W screw-in lamp, Twin or Quad, Globe or Capsule	Mag-STD	1	16	0.016
CF/SCRWN	CFSCRWN	Compact Fluorescent, (1) 17W screw-in lamp, Twin or Quad, Globe or Capsule	Mag-STD	1	17	0.017
CF/SCRWN	CFSCRWN	Compact Fluorescent, (1) 18W screw-in lamp, Twin or Quad, Globe or Capsule	Mag-STD	1	18	0.018
CF/SCRWN	CFSCRWN	Compact Fluorescent, (1) 20W screw-in lamp, Twin or Quad, Globe or Capsule	Mag-STD	1	20	0.020
CF/SCRWN	CFSCRWN	Compact Fluorescent, (1) 23W screw-in lamp, Twin or Quad, Globe or Capsule	Mag-STD	1	23	0.023
CF/SCRWN	CFSCRWN	Compact Fluorescent, (1) 25W screw-in lamp, Twin or Quad, Globe or Capsule	Mag-STD	1	25	0.025
CF/SCRWN	CFSCRWN	Compact Fluorescent, (1) 28W screw-in lamp, Twin or Quad, Globe or Capsule	Mag-STD	1	28	0.028
CF/SCRWN	CFSCRWN	Compact Fluorescent, (1) 7W screw-in lamp, Twin or Quad, Globe or Capsule	Mag-STD	1	7	0.007
CF/SCRWN	CFSCRWN	Compact Fluorescent, (1) 9W screw-in lamp, Twin or Quad, Globe or Capsule	Mag-STD	1	9	0.009

<b>SORTED by</b>							
FIXTURE CODE	LAMP CODE	DESCRIPTION	BALLAST	LAMP/ FIXT	NOM. W/LAMP	kW/ FIXT	
CF10/2D	CFD10W	Compact Fluorescent, 2D, (1) 10W lamp	Mag-STD	1	10	0.016	
CF16/2D	CFD16W	Compact Fluorescent, 2D, (1) 16W lamp	Mag-STD	1	16	0.026	
CF21/2D	CFD21W	Compact Fluorescent, 2D, (1) 21W lamp	Mag-STD	1	21	0.026	
CF28/2D	CFD28W	Compact Fluorescent, 2D, (1) 28W lamp	Mag-STD	1	28	0.035	
CF38/2D	CFD38W	Compact Fluorescent, 2D, (1) 38W lamp	Mag-STD	1	38	0.046	
CFQ10/1	CFQ10W	Compact Fluorescent, quad, (1) 10W lamp	Mag-STD	1	10	0.015	
CFQ13/1	CFQ13W	Compact Fluorescent, quad, (1) 13W lamp	Mag-STD	1	13	0.017	
CFQ13/1-L	CFQ13W	Compact Fluorescent, quad, (1) 13W lamp, BF=1.05	Electronic	1	13	0.015	
CFQ13/2	CFQ13W	Compact Fluorescent, quad, (2) 13W lamp	Mag-STD	2	13	0.031	
CFQ13/2-L	CFQ13W	Compact Fluorescent, quad, (2) 13W lamp, BF=1.0	Electronic	2	13	0.028	
CFQ13/3	CFQ13W	Compact Fluorescent, quad, (3) 13W lamp	Mag-STD	3	13	0.048	
CFQ15/1	CFQ15W	Compact Fluorescent, quad, (1) 15W lamp	Mag-STD	1	15	0.020	
CFQ17/1	CFQ17W	Compact Fluorescent, quad, (1) 17W lamp	Mag-STD	1	17	0.024	
CFQ17/2	CFQ17W	Compact Fluorescent, quad, (2) 17W lamp	Mag-STD	2	17	0.048	
CFQ18/1	CFQ18W	Compact Fluorescent, quad, (1) 18W lamp	Mag-STD	1	18	0.026	
CFQ18/1-L	CFQ18W	Compact Fluorescent, quad, (1) 18W lamp, BF=1.0	Electronic	1	18	0.020	
CFQ18/2	CFQ18W	Compact Fluorescent, quad, (2) 18W lamp	Mag-STD	2	18	0.045	
CFQ18/2-L	CFQ18W	Compact Fluorescent, quad, (2) 18W lamp, BF=1.0	Electronic	2	18	0.038	
CFQ18/4	CFQ18W	Compact Fluorescent, quad, (4) 18W lamp	Mag-STD	2	18	0.090	
CFQ20/1	CFQ20W	Compact Fluorescent, quad, (1) 20W lamp	Mag-STD	1	20	0.023	
CFQ20/2	CFQ20W	Compact Fluorescent, quad, (2) 20W lamp	Mag-STD	2	20	0.046	
CFQ22/1	CFQ22W	Compact Fluorescent, Quad, (1) 22W lamp	Mag-STD	1	22	0.024	
CFQ22/2	CFQ22W	Compact Fluorescent, Quad, (2) 22W lamp	Mag-STD	2	22	0.048	
CFQ22/3	CFQ22W	Compact Fluorescent, Quad, (3) 22W lamp	Mag-STD	3	22	0.072	

<b>SORTED by</b>							
FIXTURE CODE	LAMP CODE	DESCRIPTION	BALLAST	LAMP/ FIXT	NOM. W/LAMP	kW/ FIXT	
CFQ25/1	CFQ25W	Compact Fluorescent, Quad, (1) 25W lamp	Mag-STD	1	25	0.033	
CFQ25/2	CFQ25W	Compact Fluorescent, Quad, (2) 25W lamp	Mag-STD	2	25	0.066	
CFQ26/1	CFQ26W	Compact Fluorescent, quad, (1) 26W lamp	Mag-STD	1	26	0.033	
CFQ26/1-L	CFQ26W	Compact Fluorescent, quad, (1) 26W lamp, BF=0.95	Electronic	1	26	0.027	
CFQ26/2	CFQ26W	Compact Fluorescent, quad, (2) 26W lamp	Mag-STD	2	26	0.066	
CFQ26/2-L	CFQ26W	Compact Fluorescent, quad, (2) 26W lamp, BF=0.95	Electronic	2	26	0.050	
CFQ26/3	CFQ26W	Compact Fluorescent, quad, (3) 26W lamp	Mag-STD	3	26	0.099	
CFQ26/6-L	CFQ26W	Compact Fluorescent, quad, (6) 26W lamp, BF=0.95	Electronic	6	26	0.150	
CFQ28/1	CFQ28W	Compact Fluorescent, quad, (1) 28W lamp	Mag-STD	1	28	0.033	
CFQ9/1	CFQ9W	Compact Fluorescent, Quad, (1) 9W lamp	Mag-STD	1	9	0.014	
CFQ9/2	CFQ9W	Compact Fluorescent, Quad, (2) 9W lamp	Mag-STD	2	9	0.023	
CFT13/1	CFT13W	Compact Fluorescent, twin, (1) 13W lamp	Mag-STD	1	13	0.017	
CFT13/2	CFT13W	Compact Fluorescent, twin, (2) 13W lamp	Mag-STD	2	13	0.031	
CFT13/3	CFT13W	Compact Fluorescent, twin, (3) 13 W lamp	Mag-STD	3	13	0.048	
CFT18/1	CFT18W	Compact Fluorescent, Long twin., (1) 18W lamp	Mag-STD	1	18	0.024	
CFT22/1	CFT22W	Compact Fluorescent, twin, (1) 22W lamp	Mag-STD	1	22	0.027	
CFT22/2	CFT22W	Compact Fluorescent, twin, (2) 22W lamp	Mag-STD	2	22	0.054	
CFT22/4	CFT22W	Compact Fluorescent, twin, (4) 22W lamp	Mag-STD	4	22	0.108	
CFT24/1	CFT24W	Compact Fluorescent, long twin, (1) 24W lamp	Mag-STD	1	24	0.032	
CFT28/1	CFT28W	Compact Fluorescent, twin, (1) 28W lamp	Mag-STD	1	28	0.033	
CFT28/2	CFT28W	Compact Fluorescent, twin, (2) 28W lamp	Mag-STD	2	28	0.066	
CFT32/1-L	CFM32W	Compact Fluorescent, twin or multi, (1) 32W lamp	Electronic	1	32	0.034	
CFT32/2-L	CFM32W	Compact Fluorescent, twin or multi, (2) 32W lamp	Electronic	2	32	0.062	
CFT32/6-L	CFM32W	Compact Fluorescent, twin or multi, (2) 32W lamp	Electronic	6	32	0.186	

<b>SORTED by</b>							
FIXTURE CODE	LAMP CODE	DESCRIPTION	BALLAST	LAMP/ FIXT	NOM. W/LAMP	kW/ FIXT	
CFT36/1	CFT36W	Compact Fluorescent, long twin, (1) 36W lamp	Mag-STD	1	36	0.051	
CFT40/1	CFT40W	Compact Fluorescent, twin, (1) 40W lamp	Mag-STD	1	40	0.046	
CFT40/1-L	CFT40W	Compact Fluorescent, long twin, (1) 40W lamp	Electronic	1	40	0.043	
CFT40/2	CFT40W	Compact Fluorescent, twin, (2) 40W lamp	Mag-STD	2	40	0.085	
CFT40/2-L	CFT40W	Compact Fluorescent, long twin, (2) 40W lamp	Electronic	2	40	0.072	
CFT40/3	CFT40W	Compact Fluorescent, twin, (3) 40 W lamp	Mag-STD	3	40	0.133	
CFT40/3-L	CFT40W	Compact Fluorescent, long twin, (3) 40W lamp	Electronic	3	40	0.105	
CFT5/1	CFT5W	Compact Fluorescent, twin, (1) 5W lamp	Mag-STD	1	5	0.009	
CFT5/2	CFT5W	Compact Fluorescent, twin, (2) 5W lamp	Mag-STD	2	5	0.018	
CFT7/1	CFT7W	Compact Fluorescent, twin, (1) 7W lamp	Mag-STD	1	7	0.010	
CFT7/2	CFT7W	Compact Fluorescent, twin, (2) 7W lamp	Mag-STD	2	7	0.021	
CFT9/1	CFT9W	Compact Fluorescent, twin, (1) 9W lamp	Mag-STD	1	9	0.011	
CFT9/2	CFT9W	Compact Fluorescent, twin, (2) 9W lamp	Mag-STD	2	9	0.023	
CFT9/3	CFT9W	Compact Fluorescent, twin, (3) 9 W lamp	Mag-STD	3	9	0.034	
<b><i>1st Generation F32T8 Linear Fluorescent Fixtures</i></b>							
F41ILL (G1)	F32T8-STD	70 CRI, 20,000 Hr. RSR, Fluorescent, (1) 48", T-8 lamp, Instant Start Ballast, NLO (BF: .85-.95)	Electronic	1	32	0.031	
F41ILL/T2 (G1)	F32T8-STD	70 CRI, 20,000 Hr. RSR, Fluorescent, (1) 48", T-8 lamp, Instant Start Ballast, NLO (BF: .85-.95), Tandem 2 Lamp Ballast	Electronic	1	32	0.030	
F41ILL/T2-H (G1)	F32T8-STD	70 CRI, 20,000 Hr. RSR, Fluorescent, (1) 48", T-8 lamp, Instant Start Ballast, HLO (BF:.96-1.1), Tandem 4 Lamp Ballast	Electronic	1	32	0.033	
F41ILL/T2-R (G1)	F32T8-STD	70 CRI, 20,000 Hr. RSR, Fluorescent, (1) 48", T-8 lamp, IS Ballast, RLO (BF<0.85), Tandem 2 Lamp Ballast	Electronic	1	32	0.026	
F41ILL/T2-V(G1)	F32T8-STD	70 CRI, 20,000 Hr. RSR, Fluorescent, (1) 48", T8 lamp, Instant Start Ballast, VHLO (BF>1.1), Tandem 2 Lamp Ballast	Electronic	1	32	0.040	

<b>SORTED by</b>							
FIXTURE CODE	LAMP CODE	DESCRIPTION	BALLAST	LAMP/ FIXT	NOM. W/LAMP	kW/ FIXT	
F41ILL/T3 (G1)	F32T8-STD	70 CRI, 20,000 Hr. RSR, Fluorescent, (1) 48", T-8 lamp, Instant Start Ballast, NLO (BF: .85-.95), Tandem 3 Lamp Ballast	Electronic	1	32	0.030	
F41ILL/T3-H (G1)	F32T8-STD	70 CRI, 20,000 Hr. RSR, Fluorescent, (1) 48", T-8 lamp, Instant Start Ballast, HLO (BF:.96-1.1), Tandem 4 Lamp Ballast	Electronic	1	32	0.031	
F41ILL/T3-R (G1)	F32T8-STD	70 CRI, 20,000 Hr. RSR, Fluorescent, (1) 48", T-8 lamp, IS Ballast, RLO (BF<0.85), Tandem 3 Lamp Ballast	Electronic	1	32	0.026	
F41ILL/T3-V(G1)	F32T8-STD	70 CRI, 20,000 Hr. RSR, Fluorescent, (1) 48", T8 lamp, Instant Start Ballast, VHLO (BF>1.1), Tandem 3 Lamp Ballast	Electronic	1	32	0.038	
F41ILL/T4 (G1)	F32T8-STD	70 CRI, 20,000 Hr. RSR, Fluorescent, (1) 48", T-8 lamp, Instant Start Ballast, NLO (BF: .85-.95), Tandem 4 Lamp Ballast	Electronic	1	32	0.028	
F41ILL/T4-R (G1)	F32T8-STD	70 CRI, 20,000 Hr. RSR, Fluorescent, (1) 48", T-8 lamp, IS Ballast, RLO (BF<0.85), Tandem 4 Lamp Ballast	Electronic	1	32	0.026	
F41ILL/T4-V(G1)	F32T8-STD	70 CRI, 20,000 Hr. RSR, Fluorescent, (1) 48", T8 lamp, Instant Start Ballast, VHLO (BF>1.1), Tandem 4 Lamp Ballast	Electronic	1	32	0.038	
F41ILL-H (G1)	F32T8-STD	70 CRI, 20,000 Hr. RSR, Fluorescent, (1) 48", T-8 lamp, Instant Start Ballast, HLO (BF:.96-1.1)	Electronic	1	32	0.036	
F41ILL-V(G1)	F32T8-STD	70 CRI, 20,000 Hr. RSR, Fluorescent, (1) 48", T8 lamp, Instant Start Ballast, VHLO (BF>1.1)	Electronic	1	32	0.041	
F41LE (G1)	F32T8-STD	70 CRI, 20,000 Hr. RSR, Fluorescent, (1) 48", T-8 lamp	Mag-ES	1	32	0.035	
F41LL (G1)	F32T8-STD	70 CRI, 20,000 Hr. RSR, Fluorescent, (1) 48", T-8 lamp, Rapid Start Ballast, NLO (BF: .85-.95)	Electronic	1	32	0.032	
F41LL/T2 (G1)	F32T8-STD	70 CRI, 20,000 Hr. RSR, Fluorescent, (1) 48", T-8 lamp, Rapid Start Ballast, NLO (BF: .85-.95), Tandem 2 Lamp Ballast	Electronic	1	32	0.030	
F41LL/T2-H (G1)	F32T8-STD	70 CRI, 20,000 Hr. RSR, Fluorescent, (1) 48", T-8 lamp, Rapid Start Ballast, HLO (BF:.96-1.1), Tandem 2 Lamp Ballast	Electronic	1	32	0.035	
F41LL/T2-R (G1)	F32T8-STD	70 CRI, 20,000 Hr. RSR, Fluorescent, (1) 48", T-8 lamp, Rapid Start Ballast, RLO (BF<0.85), Tandem 2 Lamp Ballast	Electronic	1	32	0.027	
F41LL/T3 (G1)	F32T8-STD	70 CRI, 20,000 Hr. RSR, Fluorescent, (1) 48", T-8 lamp, Rapid Start Ballast, NLO (BF: .85-.95), Tandem 3 Lamp Ballast	Electronic	1	32	0.031	

<b>SORTED by</b>							
FIXTURE CODE	LAMP CODE	DESCRIPTION	BALLAST	LAMP/ FIXT	NOM. W/LAMP	kW/ FIXT	
F41LL/T3-H (G1)	F32T8-STD	70 CRI, 20,000 Hr. RSR, Fluorescent, (1) 48", T-8 lamp, Rapid Start Ballast, HLO (BF:.96-1.1), Tandem 3 Lamp Ballast	Electronic	1	32	0.033	
F41LL/T3-R (G1)	F32T8-STD	70 CRI, 20,000 Hr. RSR, Fluorescent, (1) 48", T-8 lamp, Rapid Start Ballast, RLO (BF<0.85), Tandem 3 Lamp Ballast	Electronic	1	32	0.025	
F41LL/T4 (G1)	F32T8-STD	70 CRI, 20,000 Hr. RSR, Fluorescent, (1) 48", T-8 lamp, Rapid Start Ballast, NLO (BF: .85-.95), Tandem 4 Lamp Ballast	Electronic	1	32	0.030	
F41LL/T4-R (G1)	F32T8-STD	70 CRI, 20,000 Hr. RSR, Fluorescent, (1) 48", T-8 lamp, Rapid Start Ballast, RLO (BF<0.85), Tandem 4 Lamp Ballast	Electronic	1	32	0.026	
F41LL-H (G1)	F32T8-STD	70 CRI, 20,000 Hr. RSR, Fluorescent, (1) 48", T-8 lamp, Rapid Start Ballast, HLO (BF:.96-1.1)	Electronic	1	32	0.039	
F41LL-R (G1)	F32T8-STD	70 CRI, 20,000 Hr. RSR, Fluorescent, (1) 48", T-8 lamp, Rapid Start Ballast, RLO (BF<0.85)	Electronic	1	32	0.027	
F42ILL (G1)	F32T8-STD	70 CRI, 20,000 Hr. RSR, Fluorescent, (2) 48", T-8 lamp, Instant Start Ballast, NLO (BF: .85-.95)	Electronic	2	32	0.059	
F42ILL/T4 (G1)	F32T8-STD	70 CRI, 20,000 Hr. RSR, Fluorescent, (2) 48", T-8 lamp, Instant Start Ballast, NLO (BF: .85-.95), Tandem 4 Lamp Ballast	Electronic	2	32	0.056	
F42ILL/T4-R (G1)	F32T8-STD	70 CRI, 20,000 Hr. RSR, Fluorescent, (2) 48", T-8 lamp, Instant Start Ballast, RLO (BF<0.85), Tandem 4 Lamp Ballast	Electronic	2	32	0.051	
F42ILL-H (G1)	F32T8-STD	70 CRI, 20,000 Hr. RSR, Fluorescent, (2) 48", T-8 lamp, Instant Start Ballast, HLO (BF:.96-1.1)	Electronic	2	32	0.065	
F42ILL-R (G1)	F32T8-STD	70 CRI, 20,000 Hr. RSR, Fluorescent, (2) 48", T-8 lamp, Instant Start Ballast, RLO (BF<0.85)	Electronic	2	32	0.052	
F42ILL-V (G1)	F32T8-STD	70 CRI, 20,000 Hr. RSR, Fluorescent, (2) 48", T-8 lamp, Instant Start Ballast, VHLO (BF>1.1)	Electronic	2	32	0.079	
F42LE (G1)	F32T8-STD	70 CRI, 20,000 Hr. RSR, Fluorescent, (2) 48", T-8 lamp	Mag-ES	2	32	0.071	
F42LL (G1)	F32T8-STD	70 CRI, 20,000 Hr. RSR, Fluorescent, (2) 48", T-8 lamp, Rapid Start Ballast, NLO (BF: .85-.95)	Electronic	2	32	0.060	
F42LL/T4 (G1)	F32T8-STD	70 CRI, 20,000 Hr. RSR, Fluorescent, (2) 48", T-8 lamp, Rapid Start Ballast, NLO (BF: .85-.95), Tandem 4 Lamp Ballast	Electronic	2	32	0.059	



<b>SORTED by</b>						
FIXTURE CODE	LAMP CODE	DESCRIPTION	BALLAST	LAMP/ FIXT	NOM. W/LAMP	kW/ FIXT
F42LL/T4-R (G1)	F32T8-STD	70 CRI, 20,000 Hr. RSR, Fluorescent, (2) 48", T-8 lamp, Rapid Start Ballast, RLO (BF<0.85), Tandem 4 Lamp Ballast	Electronic	2	32	0.053
F42LL-H (G1)	F32T8-STD	70 CRI, 20,000 Hr. RSR, Fluorescent, (2) 48", T-8 lamp, Rapid Start Ballast, HLO (BF:.96-1.1)	Electronic	2	32	0.070
F42LL-R (G1)	F32T8-STD	70 CRI, 20,000 Hr. RSR, Fluorescent, (2) 48", T-8 lamp, Rapid Start Ballast, RLO (BF<0.85)	Electronic	2	32	0.054
F42LL-V (G1)	F32T8-STD	70 CRI, 20,000 Hr. RSR, Fluorescent, (2) 48", T-8 lamp, Rapid Start Ballast, VHLO (BF>1.1)	Electronic	2	32	0.085
F43ILL (G1)	F32T8-STD	70 CRI, 20,000 Hr. RSR, Fluorescent, (3) 48", T-8 lamp, Instant Start Ballast, NLO (BF: .85-.95)	Electronic	3	32	0.089
F43ILL/2 (G1)	F32T8-STD	70 CRI, 20,000 Hr. RSR, Fluorescent, (3) 48", T-8 lamp, Instant Start Ballast, NLO (BF: .85-.95), (2) ballast	Electronic	3	32	0.090
F43ILL-H (G1)	F32T8-STD	70 CRI, 20,000 Hr. RSR, Fluorescent, (3) 48", T-8 lamp, Instant Start Ballast, HLO (BF:.96-1.1)	Electronic	3	32	0.093
F43ILL-R (G1)	F32T8-STD	70 CRI, 20,000 Hr. RSR, Fluorescent, (3) 48", T-8 lamp, Instant Start Ballast, RLO (BF<0.85)	Electronic	3	32	0.078
F43ILL-V (G1)	F32T8-STD	70 CRI, 20,000 Hr. RSR, Fluorescent, (3) 48", T-8 lamp, Instant Start Ballast, VHLO (BF>1.1)	Electronic	3	32	0.112
F43LE (G1)	F32T8-STD	70 CRI, 20,000 Hr. RSR, Fluorescent, (3) 48", T-8 lamp	Mag-ES	3	32	0.110
F43LL (G1)	F32T8-STD	70 CRI, 20,000 Hr. RSR, Fluorescent, (3) 48", T-8 lamp, Rapid Start Ballast, NLO (BF: .85-.95)	Electronic	3	32	0.093
F43LL/2 (G1)	F32T8-STD	70 CRI, 20,000 Hr. RSR, Fluorescent, (3) 48", T-8 lamp, Rapid Start Ballast, NLO (BF: .85-.95), (2) ballast	Electronic	3	32	0.092
F43LL-H (G1)	F32T8-STD	70 CRI, 20,000 Hr. RSR, Fluorescent, (3) 48", T-8 lamp, Rapid Start Ballast, HLO (BF:.96-1.1)	Electronic	3	32	0.098
F43LL-R (G1)	F32T8-STD	70 CRI, 20,000 Hr. RSR, Fluorescent, (3) 48", T-8 lamp, Rapid Start Ballast, RLO (BF<0.85)	Electronic	3	32	0.076
F44ILL (G1)	F32T8-STD	70 CRI, 20,000 Hr. RSR, Fluorescent, (4) 48", T-8 lamp, Instant Start Ballast, NLO (BF: .85-.95)	Electronic	4	32	0.112

<b>SORTED by</b>							
FIXTURE CODE	LAMP CODE	DESCRIPTION	BALLAST	LAMP/ FIXT	NOM. W/LAMP	kW/ FIXT	
F44ILL/2 (G1)	F32T8-STD	70 CRI, 20,000 Hr. RSR, Fluorescent, (4) 48", T-8 lamp, Instant Start Ballast, NLO (BF: .85-.95), (2) ballast	Electronic	4	32	0.118	
F44ILL/2-V(G1)	F32T8-STD	70 CRI, 20,000 Hr. RSR, Fluorescent, (4) 48", T8 lamp, (2) Instant Start Ballasts, VHLO (BF>1.1)	Electronic	4	32	0.152	
F44ILL-R (G1)	F32T8-STD	70 CRI, 20,000 Hr. RSR, Fluorescent, (4) 48", T-8 lamp, Instant Start Ballast, RLO (BF<0.85)	Electronic	4	32	0.102	
F44ILL-V(G1)	F32T8-STD	70 CRI, 20,000 Hr. RSR, Fluorescent, (4) 48", T8 lamp, Instant Start Ballast, VHLO (BF>1.1)	Electronic	4	32	0.151	
F44LE (G1)	F32T8-STD	70 CRI, 20,000 Hr. RSR, Fluorescent, (4) 48", T-8 lamp	Mag-ES	4	32	0.142	
F44LL (G1)	F32T8-STD	70 CRI, 20,000 Hr. RSR, Fluorescent, (4) 48", T-8 lamp, Rapid Start Ballast, NLO (BF: .85-.95)	Electronic	4	32	0.118	
F44LL/2 (G1)	F32T8-STD	70 CRI, 20,000 Hr. RSR, Fluorescent, (4) 48", T-8 lamp, Rapid Start Ballast, NLO (BF: .85-.95), (2) ballast	Electronic	4	32	0.120	
F44LL-R (G1)	F32T8-STD	70 CRI, 20,000 Hr. RSR, Fluorescent, (4) 48", T-8 lamp, Rapid Start Ballast, RLO (BF<0.85)	Electronic	4	32	0.105	
F45ILL (G1)	F32T8-STD	70 CRI, 20,000 Hr. RSR, Fluorescent, (5) 48", T-8 lamp, (1) 3-lamp IS ballast and (1) 2-lamp IS ballast, NLO (BF: .85-.95)	Electronic	5	32	0.148	
F45ILL/2-V(G1)	F32T8-STD	70 CRI, 20,000 Hr. RSR, Fluorescent, (5) 48", T8 lamp, (2) Instant Start Ballasts, VHLO (BF>1.1)	Electronic	5	32	0.189	
F46ILL (G1)	F32T8-STD	70 CRI, 20,000 Hr. RSR, Fluorescent, (6) 48", T-8 lamp, Instant Start Ballast, NLO (BF: .85-.95)	Electronic	6	32	0.175	
F46ILL/2-V(G1)	F32T8-STD	70 CRI, 20,000 Hr. RSR, Fluorescent, (6) 48", T8 lamp, (2) Instant Start Ballasts, VHLO (BF>1.1)	Electronic	6	32	0.226	
F46ILL-R (G1)	F32T8-STD	70 CRI, 20,000 Hr. RSR, Fluorescent, (6) 48", T-8 lamp, Instant Start Ballast, RLO (BF< .85)	Electronic	6	32	0.156	
F46LL (G1)	F32T8-STD	70 CRI, 20,000 Hr. RSR, Fluorescent, (6) 48", T-8 lamp, Ballast, NLO (BF: .85-.95)	Electronic	6	32	0.182	
F48ILL (G1)	F32T8-STD	70 CRI, 20,000 Hr. RSR, Fluorescent, (8) 48", T-8 lamp, Instant Start Ballast, NLO (BF: .85-.95)	Electronic	8	32	0.224	

<b>SORTED by</b>							
FIXTURE CODE	LAMP CODE	DESCRIPTION	BALLAST	LAMP/ FIXT	NOM. W/LAMP	kW/ FIXT	
F48ILL-R (G1)	F32T8-STD	70 CRI, 20,000 Hr. RSR, Fluorescent, (8) 48", T-8 lamp, Instant Start Ballast, RLO (BF<0.85)	Electronic	8	32	0.204	
<b><i>2nd Generation F32T8 Linear Fluorescent Fixtures</i></b>							
F41ILL (G2)	F32T8-PREM	85 CRI, 24,000 Hr. RSR, Fluorescent, (1) 48", T-8 lamp, Instant Start Ballast, NLO (BF: .85-.95)	Electronic	1	32	0.031	
F41ILL/T2 (G2)	F32T8-PREM	85 CRI, 24,000 Hr. RSR, Fluorescent, (1) 48", T-8 lamp, Instant Start Ballast, NLO (BF: .85-.95), Tandem 2 Lamp Ballast	Electronic	1	32	0.030	
F41ILL/T2-H (G2)	F32T8-PREM	85 CRI, 24,000 Hr. RSR, Fluorescent, (1) 48", T-8 lamp, Instant Start Ballast, HLO (BF:.96-1.1), Tandem 4 Lamp Ballast	Electronic	1	32	0.033	
F41ILL/T2-R (G2)	F32T8-PREM	85 CRI, 24,000 Hr. RSR, Fluorescent, (1) 48", T-8 lamp, IS Ballast, RLO (BF<0.85), Tandem 2 Lamp Ballast	Electronic	1	32	0.026	
F41ILL/T2-V (G2)	F32T8-PREM	85 CRI, 24,000 Hr. RSR, Fluorescent, (1) 48", T8 lamp, Instant Start Ballast, VHLO (BF>1.1), Tandem 2 Lamp Ballast	Electronic	1	32	0.040	
F41ILL/T3 (G2)	F32T8-PREM	85 CRI, 24,000 Hr. RSR, Fluorescent, (1) 48", T-8 lamp, Instant Start Ballast, NLO(BF: .85-.95), Tandem 3 Lamp Ballast	Electronic	1	32	0.030	
F41ILL/T3-H (G2)	F32T8-PREM	85 CRI, 24,000 Hr. RSR, Fluorescent, (1) 48", T-8 lamp, Instant Start Ballast, HLO (BF:.96-1.1), Tandem 4 Lamp Ballast	Electronic	1	32	0.031	
F41ILL/T3-R (G2)	F32T8-PREM	85 CRI, 24,000 Hr. RSR, Fluorescent, (1) 48", T-8 lamp, IS Ballast, RLO (BF<0.85), Tandem 3 Lamp Ballast	Electronic	1	32	0.026	
F41ILL/T3-V (G2)	F32T8-PREM	85 CRI, 24,000 Hr. RSR, Fluorescent, (1) 48", T8 lamp, Instant Start Ballast, VHLO (BF>1.1), Tandem 3 Lamp Ballast	Electronic	1	32	0.038	
F41ILL/T4 (G2)	F32T8-PREM	85 CRI, 24,000 Hr. RSR, Fluorescent, (1) 48", T-8 lamp, Instant Start Ballast, NLO (BF: .85-.95), Tandem 4 Lamp Ballast	Electronic	1	32	0.028	
F41ILL/T4-R (G2)	F32T8-PREM	85 CRI, 24,000 Hr. RSR, Fluorescent, (1) 48", T-8 lamp, IS Ballast, RLO (BF<0.85), Tandem 4 Lamp Ballast	Electronic	1	32	0.026	
F41ILL/T4-V (G2)	F32T8-PREM	85 CRI, 24,000 Hr. RSR, Fluorescent, (1) 48", T8 lamp, Instant Start Ballast, VHLO (BF>1.1), Tandem 4 Lamp Ballast	Electronic	1	32	0.038	
F41ILL-H (G2)	F32T8-PREM	85 CRI, 24,000 Hr. RSR, Fluorescent, (1) 48", T-8 lamp, Instant Start Ballast, HLO (BF:.96-1.1)	Electronic	1	32	0.036	

<b>SORTED by</b>							
FIXTURE CODE	LAMP CODE	DESCRIPTION	BALLAST	LAMP/ FIXT	NOM. W/LAMP	kW/ FIXT	
F41ILL-V (G2)	F32T8-PREM	85 CRI, 24,000 Hr. RSR, Fluorescent, (1) 48", T8 lamp, Instant Start Ballast, VHLO (BF>1.1)	Electronic	1	32	0.041	
F41LL (G2)	F32T8-PREM	85 CRI, 24,000 Hr. RSR, Fluorescent, (1) 48", T-8 lamp, Rapid Start Ballast, NLO (BF: .85-.95)	Electronic	1	32	0.032	
F41LL/T2 (G2)	F32T8-PREM	85 CRI, 24,000 Hr. RSR, Fluorescent, (1) 48", T-8 lamp, Rapid Start Ballast, NLO (BF: .85-.95), Tandem 2 Lamp Ballast	Electronic	1	32	0.030	
F41LL/T2-H (G2)	F32T8-PREM	85 CRI, 24,000 Hr. RSR, Fluorescent, (1) 48", T-8 lamp, Rapid Start Ballast, HLO (BF:.96-1.1), Tandem 2 Lamp Ballast	Electronic	1	32	0.035	
F41LL/T2-R (G2)	F32T8-PREM	85 CRI, 24,000 Hr. RSR, Fluorescent, (1) 48", T-8 lamp, Rapid Start Ballast, RLO (BF<0.85), Tandem 2 Lamp Ballast	Electronic	1	32	0.027	
F41LL/T3 (G2)	F32T8-PREM	85 CRI, 24,000 Hr. RSR, Fluorescent, (1) 48", T-8 lamp, Rapid Start Ballast, NLO (BF: .85-.95), Tandem 3 Lamp Ballast	Electronic	1	32	0.031	
F41LL/T3-H (G2)	F32T8-PREM	85 CRI, 24,000 Hr. RSR, Fluorescent, (1) 48", T-8 lamp, Rapid Start Ballast, HLO (BF:.96-1.1), Tandem 3 Lamp Ballast	Electronic	1	32	0.033	
F41LL/T3-R (G2)	F32T8-PREM	85 CRI, 24,000 Hr. RSR, Fluorescent, (1) 48", T-8 lamp, Rapid Start Ballast, RLO (BF<0.85), Tandem 3 Lamp Ballast	Electronic	1	32	0.025	
F41LL/T4 (G2)	F32T8-PREM	85 CRI, 24,000 Hr. RSR, Fluorescent, (1) 48", T-8 lamp, Rapid Start Ballast, NLO (BF: .85-.95), Tandem 4 Lamp Ballast	Electronic	1	32	0.030	
F41LL/T4-R (G2)	F32T8-PREM	85 CRI, 24,000 Hr. RSR, Fluorescent, (1) 48", T-8 lamp, Rapid Start Ballast, RLO (BF<0.85), Tandem 4 Lamp Ballast	Electronic	1	32	0.026	
F41LL-H (G2)	F32T8-PREM	85 CRI, 24,000 Hr. RSR, Fluorescent, (1) 48", T-8 lamp, Rapid Start Ballast, HLO (BF:.96-1.1)	Electronic	1	32	0.039	
F41LL-R (G2)	F32T8-PREM	85 CRI, 24,000 Hr. RSR, Fluorescent, (1) 48", T-8 lamp, Rapid Start Ballast, RLO (BF<0.85)	Electronic	1	32	0.027	
F42ILL (G2)	F32T8-PREM	85 CRI, 24,000 Hr. RSR, Fluorescent, (2) 48", T-8 lamp, Instant Start Ballast, NLO (BF: .85-.95)	Electronic	2	32	0.059	
F42ILL/T4 (G2)	F32T8-PREM	85 CRI, 24,000 Hr. RSR, Fluorescent, (2) 48", T-8 lamp, Instant Start Ballast, NLO (BF: .85-.95), Tandem 4 Lamp Ballast	Electronic	2	32	0.056	
F42ILL/T4-R (G2)	F32T8-PREM	85 CRI, 24,000 Hr. RSR, Fluorescent, (2) 48", T-8 lamp, Instant Start Ballast, RLO (BF<0.85), Tandem 4 Lamp Ballast	Electronic	2	32	0.051	

<b>SORTED by</b>							
FIXTURE CODE	LAMP CODE	DESCRIPTION	BALLAST	LAMP/ FIXT	NOM. W/LAMP	kW/ FIXT	
F42ILL-H (G2)	F32T8-PREM	85 CRI, 24,000 Hr. RSR, Fluorescent, (2) 48", T-8 lamp, Instant Start Ballast, HLO (BF:.96-1.1)	Electronic	2	32	0.065	
F42ILL-R (G2)	F32T8-PREM	85 CRI, 24,000 Hr. RSR, Fluorescent, (2) 48", T-8 lamp, Instant Start Ballast, RLO (BF<0.85)	Electronic	2	32	0.052	
F42ILL-V (G2)	F32T8-PREM	85 CRI, 24,000 Hr. RSR, Fluorescent, (2) 48", T-8 lamp, Instant Start Ballast, VHLO (BF>1.1)	Electronic	2	32	0.079	
F42LL (G2)	F32T8-PREM	85 CRI, 24,000 Hr. RSR, Fluorescent, (2) 48", T-8 lamp, Rapid Start Ballast, NLO (BF: .85-.95)	Electronic	2	32	0.060	
F42LL/T4 (G2)	F32T8-PREM	85 CRI, 24,000 Hr. RSR, Fluorescent, (2) 48", T-8 lamp, Rapid Start Ballast, NLO (BF: .85-.95), Tandem 4 Lamp Ballast	Electronic	2	32	0.059	
F42LL/T4-R (G2)	F32T8-PREM	85 CRI, 24,000 Hr. RSR, Fluorescent, (2) 48", T-8 lamp, Rapid Start Ballast, RLO (BF<0.85), Tandem 4 Lamp Ballast	Electronic	2	32	0.053	
F42LL-H (G2)	F32T8-PREM	85 CRI, 24,000 Hr. RSR, Fluorescent, (2) 48", T-8 lamp, Rapid Start Ballast, HLO (BF:.96-1.1)	Electronic	2	32	0.070	
F42LL-R (G2)	F32T8-PREM	85 CRI, 24,000 Hr. RSR, Fluorescent, (2) 48", T-8 lamp, Rapid Start Ballast, RLO (BF<0.85)	Electronic	2	32	0.054	
F42LL-V (G2)	F32T8-PREM	85 CRI, 24,000 Hr. RSR, Fluorescent, (2) 48", T-8 lamp, Rapid Start Ballast, VHLO (BF>1.1)	Electronic	2	32	0.085	
F43ILL (G2)	F32T8-PREM	85 CRI, 24,000 Hr. RSR, Fluorescent, (3) 48", T-8 lamp, Instant Start Ballast, NLO (BF: .85-.95)	Electronic	3	32	0.089	
F43ILL/2 (G2)	F32T8-PREM	85 CRI, 24,000 Hr. RSR, Fluorescent, (3) 48", T-8 lamp, Instant Start Ballast, NLO (BF: .85-.95), (2) ballast	Electronic	3	32	0.090	
F43ILL-H (G2)	F32T8-PREM	85 CRI, 24,000 Hr. RSR, Fluorescent, (3) 48", T-8 lamp, Instant Start Ballast, HLO (BF:.96-1.1)	Electronic	3	32	0.093	
F43ILL-R (G2)	F32T8-PREM	85 CRI, 24,000 Hr. RSR, Fluorescent, (3) 48", T-8 lamp, Instant Start Ballast, RLO (BF<0.85)	Electronic	3	32	0.078	
F43ILL-V (G2)	F32T8-PREM	85 CRI, 24,000 Hr. RSR, Fluorescent, (3) 48", T-8 lamp, Instant Start Ballast, VHLO (BF>1.1)	Electronic	3	32	0.112	
F43LL (G2)	F32T8-PREM	85 CRI, 24,000 Hr. RSR, Fluorescent, (3) 48", T-8 lamp, Rapid Start Ballast, NLO (BF: .85-.95)	Electronic	3	32	0.093	

<b>SORTED by</b>							
FIXTURE CODE	LAMP CODE	DESCRIPTION	BALLAST	LAMP/ FIXT	NOM. W/LAMP	kW/ FIXT	
F43LL/2 (G2)	F32T8-PREM	85 CRI, 24,000 Hr. RSR, Fluorescent, (3) 48", T-8 lamp, Rapid Start Ballast, NLO (BF: .85-.95), (2) ballast	Electronic	3	32	0.092	
F43LL-H (G2)	F32T8-PREM	85 CRI, 24,000 Hr. RSR, Fluorescent, (3) 48", T-8 lamp, Rapid Start Ballast, HLO (BF:.96-1.1)	Electronic	3	32	0.098	
F43LL-R (G2)	F32T8-PREM	85 CRI, 24,000 Hr. RSR, Fluorescent, (3) 48", T-8 lamp, Rapid Start Ballast, RLO (BF<0.85)	Electronic	3	32	0.076	
F44ILL (G2)	F32T8-PREM	85 CRI, 24,000 Hr. RSR, Fluorescent, (4) 48", T-8 lamp, Instant Start Ballast, NLO (BF: .85-.95)	Electronic	4	32	0.112	
F44ILL/2 (G2)	F32T8-PREM	85 CRI, 24,000 Hr. RSR, Fluorescent, (4) 48", T-8 lamp, Instant Start Ballast, NLO (BF: .85-.95), (2) ballast	Electronic	4	32	0.118	
F44ILL/2-V (G2)	F32T8-PREM	85 CRI, 24,000 Hr. RSR, Fluorescent, (4) 48", T8 lamp, (2) Instant Start Ballasts, VHLO (BF>1.1)	Electronic	4	32	0.152	
F44ILL-R (G2)	F32T8-PREM	85 CRI, 24,000 Hr. RSR, Fluorescent, (4) 48", T-8 lamp, Instant Start Ballast, RLO (BF<0.85)	Electronic	4	32	0.102	
F44ILL-V (G2)	F32T8-PREM	85 CRI, 24,000 Hr. RSR, Fluorescent, (4) 48", T8 lamp, Instant Start Ballast, VHLO (BF>1.1)	Electronic	4	32	0.151	
F44LL (G2)	F32T8-PREM	85 CRI, 24,000 Hr. RSR, Fluorescent, (4) 48", T-8 lamp, Rapid Start Ballast, NLO (BF: .85-.95)	Electronic	4	32	0.118	
F44LL/2 (G2)	F32T8-PREM	85 CRI, 24,000 Hr. RSR, Fluorescent, (4) 48", T-8 lamp, Rapid Start Ballast, NLO (BF: .85-.95), (2) ballast	Electronic	4	32	0.120	
F44LL-R (G2)	F32T8-PREM	85 CRI, 24,000 Hr. RSR, Fluorescent, (4) 48", T-8 lamp, Rapid Start Ballast, RLO (BF<0.85)	Electronic	4	32	0.105	
F45ILL (G2)	F32T8-PREM	85 CRI, 24,000 Hr. RSR, Fluorescent, (5) 48", T-8 lamp, (1) 3-lamp IS ballast and (1) 2-lamp IS ballast, NLO (BF: .85-.95)	Electronic	5	32	0.148	
F45ILL/2-V (G2)	F32T8-PREM	85 CRI, 24,000 Hr. RSR, Fluorescent, (5) 48", T8 lamp, (2) Instant Start Ballasts, VHLO (BF>1.1)	Electronic	5	32	0.189	
F46ILL (G2)	F32T8-PREM	85 CRI, 24,000 Hr. RSR, Fluorescent, (6) 48", T-8 lamp, Instant Start Ballast, NLO (BF: .85-.95)	Electronic	6	32	0.175	
F46ILL/2-V (G2)	F32T8-PREM	85 CRI, 24,000 Hr. RSR, Fluorescent, (6) 48", T8 lamp, (2) Instant Start Ballasts, VHLO (BF>1.1)	Electronic	6	32	0.226	

<b>SORTED by</b>						
FIXTURE CODE	LAMP CODE	DESCRIPTION	BALLAST	LAMP/ FIXT	NOM. W/LAMP	kW/ FIXT
F46ILL-R (G2)	F32T8-PREM	85 CRI, 24,000 Hr. RSR, Fluorescent, (6) 48", T-8 lamp, Instant Start Ballast, RLO (BF< .85)	Electronic	6	32	0.156
F46LL (G2)	F32T8-PREM	85 CRI, 24,000 Hr. RSR, Fluorescent, (6) 48", T-8 lamp, Ballast, NLO (BF: .85-.95)	Electronic	6	32	0.182
F48ILL (G2)	F32T8-PREM	85 CRI, 24,000 Hr. RSR, Fluorescent, (8) 48", T-8 lamp, Instant Start Ballast, NLO (BF: .85-.95)	Electronic	8	32	0.224
F48ILL-R (G2)	F32T8-PREM	85 CRI, 24,000 Hr. RSR, Fluorescent, (8) 48", T-8 lamp, Instant Start Ballast, RLO (BF<0.85)	Electronic	8	32	0.204
<b>3rd Generation F32T8 Linear Fluorescent Systems</b>						
F41ILL (G3)	F32T8-PREM	85 CRI, 24,000 Hr. RSR, Fluorescent, (1)48" T-8 lamp, Premium IS Ballast, NLO (BF: .85-.95)	Elec-Prem	1	32	0.028
F41ILL-R (G3)	F32T8-PREM	85 CRI, 24,000 Hr. RSR, Fluorescent, (1)48" T-8 lamp, Premium IS Ballast, RLO (BF: < .85)	Elec-Prem-R	1	32	0.025
F41WLL (G3)	F32T8-PREM-ES	82 CRI, 15,000 Hr. ISR, Fluorescent, (1)48" ES T-8 lamp, Premium IS Ballast, NLO (BF: .85-.95)	Elec-Prem	1	30	0.027
F41WLL-R (G3)	F32T8-PREM-ES	82 CRI, 15,000 Hr. ISR, Fluorescent, (1)48" ES T-8 lamp, Premium IS Ballast, RLO (BF: < .85)	Elec-Prem-R	1	30	0.024
F42ILL (G3)	F32T8-PREM	85 CRI, 24,000 Hr. RSR, Fluorescent, (2)48" T-8 lamp, Premium IS Ballast, NLO (BF: .85-.95)	Elec-Prem	2	32	0.054
F42ILL-R (G3)	F32T8-PREM	85 CRI, 24,000 Hr. RSR, Fluorescent, (2)48" T-8 lamp, Premium IS Ballast, RLO (BF: < .85)	Elec-Prem-R	2	32	0.048
F42WLL (G3)	F32T8-PREM-ES	82 CRI, 15,000 Hr. ISR, Fluorescent, (2)48" ES T-8 lamp, Premium IS Ballast, NLO (BF: .85-.95)	Elec-Prem	2	30	0.051
F42WLL-R (G3)	F32T8-PREM-ES	82 CRI, 15,000 Hr. ISR, Fluorescent, (2)48" ES T-8 lamp, Premium IS Ballast, RLO (BF: < .85)	Elec-Prem-R	2	30	0.045
F43ILL (G3)	F32T8-PREM	85 CRI, 24,000 Hr. RSR, Fluorescent, (3)48" T-8 lamp, Premium IS Ballast, NLO (BF: .85-.95)	Elec-Prem	3	32	0.083
F43ILL-R (G3)	F32T8-PREM	85 CRI, 24,000 Hr. RSR, Fluorescent, (3)48" T-8 lamp, Premium IS Ballast, RLO (BF: < .85)	Elec-Prem-R	3	32	0.073

<b>SORTED by</b>						
FIXTURE CODE	LAMP CODE	DESCRIPTION	BALLAST	LAMP/ FIXT	NOM. W/LAMP	kW/ FIXT
F43WLL (G3)	F32T8-PREM-ES	82 CRI, 15,000 Hr. ISR, Fluorescent, (3)48" ES T-8 lamp, Premium IS Ballast, NLO (BF: .85-.95)	Elec-Prem	3	30	0.077
F43WLL-R (G3)	F32T8-PREM-ES	82 CRI, 15,000 Hr. ISR, Fluorescent, (3)48" ES T-8 lamp, Premium IS Ballast, RLO (BF: < .85)	Elec-Prem-R	3	30	0.067
F44ILL (G3)	F32T8-PREM	85 CRI, 24,000 Hr. RSR, Fluorescent, (4)48" T-8 lamp, Premium IS Ballast, NLO (BF: .85-.95)	Elec-Prem	4	32	0.108
F44ILL-R (G3)	F32T8-PREM	85 CRI, 24,000 Hr. RSR, Fluorescent, (4)48" T-8 lamp, Premium IS Ballast, RLO (BF: < .85)	Elec-Prem-R	4	32	0.094
F44WLL (G3)	F32T8-PREM-ES	82 CRI, 15,000 Hr. ISR, Fluorescent, (4)48" ES T-8 lamp, Premium IS Ballast, NLO (BF: .85-.95)	Elec-Prem	4	30	0.102
F44WLL-R (G3)	F32T8-PREM-ES	82 CRI, 15,000 Hr. ISR, Fluorescent, (4)48" ES T-8 lamp, Premium IS Ballast, RLO (BF: < .85)	Elec-Prem-R	4	30	0.090
F46ILL/2 (G3)	F32T8-PREM	85 CRI, 24,000 Hr. RSR, Fluorescent, (6) 48", T8 lamp, (2) Premium IS Ballasts, NLO (BF: .85-.95)	Elec-Prem	6	32	0.162
F46ILL/2-R (G3)	F32T8-PREM	85 CRI, 24,000 Hr. RSR, Fluorescent, (6) 48", T8 lamp, (2) Premium IS Ballasts, RLO (BF: < .85)	Elec-Prem-R	6	32	0.142
F46WLL/2 (G3)	F32T8-PREM-ES	82 CRI, 15,000 Hr. ISR, Fluorescent, (6) 48", ES T8 lamp, (2) Premium IS Ballasts, NLO (BF: .85-.95)	Elec-Prem	6	30	0.153
F46WLL/2-R (G3)	F32T8-PREM-ES	82 CRI, 15,000 Hr. ISR, Fluorescent, (6) 48", ES T8 lamp, (2) Premium IS Ballasts, RLO (BF: < .85)	Elec-Prem-R	6	30	0.135
F48ILL/2 (G3)	F32T8-PREM	85 CRI, 24,000 Hr. RSR, Fluorescent, (8) 48", T8 lamp, (2) Premium IS Ballasts, NLO (BF: .85-.95)	Elec-Prem	8	32	0.216
F48ILL/2-R (G3)	F32T8-PREM	85 CRI, 24,000 Hr. RSR, Fluorescent, (8) 48", T8 lamp, (2) Premium IS Ballasts, RLO (BF: < .85)	Elec-Prem-R	8	32	0.188
F48WLL/2 (G3)	F32T8-PREM-ES	82 CRI, 15,000 Hr. ISR, Fluorescent, (8) 48", ES T8 lamp, (2) Premium IS Ballasts, NLO (BF: .85-.95)	Elec-Prem	8	30	0.204
F48WLL/2-R (G3)	F32T8-PREM-ES	82 CRI, 15,000 Hr. ISR, Fluorescent, (8) 48", ES T8 lamp, (2) Premium IS Ballasts, RLO (BF: < .85)	Elec-Prem-R	8	30	0.180
<b>4th Generation F28T8 Linear Fluorescent Systems</b>						



<b>SORTED by</b>							
FIXTURE CODE	LAMP CODE	DESCRIPTION	BALLAST	LAMP/ FIXT	NOM. W/LAMP	kW/ FIXT	
F42WLL (G4)	F28T8-PREM-ES	>= 86 CRI, >= 20,000 HR, ISR, Fluorescent, (2) 48" T-8 lamp, Premium IS Ballast, NLO (BF:.85-.95)	ELEC-PREM	2	25	0.044	
F42WLL-R (G4)	F28T8-PREM-ES	>= 82 CRI, >= 18,000 HR. ISR, Fluorescent, (2) 48" T-8 lamp, Premium IS Ballast, RLO (BF<0.85)	ELEC-PREM-R	2	28	0.042	
F42WLL (G4)	F28T8-PREM-ES	>= 82 CRI, >= 18,000 HR. ISR, Fluorescent, (2) 48" T-8 lamp, Premium IS Ballast, NLO (BF:.85-.95)	ELEC-PREM	2	28	0.050	
F42WLL-V (G4)	F28T8-PREM-ES	>= 82 CRI, >= 18,000 HR. ISR, Fluorescent, (2) 48" T-8 lamp, Premium IS Ballast, VHLO (BF> 1.1)	ELEC-PREM	2	28	0.064	
F43WLL (G4)	F28T8-PREM-ES	>= 86 CRI, >= 20,000 HR, ISR, Fluorescent, (3) 48" T-8 lamp, Premium IS Ballast, NLO (BF:.85-.95)	ELEC-PREM	3	25	0.066	
F43WLL-R (G4)	F28T8-PREM-ES	>= 82 CRI, >= 18,000 HR. ISR, Fluorescent, (3) 48" T-8 lamp, Premium IS Ballast, RLO (BF<0.85)	ELEC-PREM-R	3	28	0.063	
F43WLL (G4)	F28T8-PREM-ES	>= 82 CRI, >= 18,000 HR. ISR, Fluorescent, (3) 48" T-8 lamp, Premium IS Ballast, NLO (BF:.85-.95)	ELEC-PREM	3	28	0.074	
F43WLL-V (G4)	F28T8-PREM-ES	>= 82 CRI, >= 18,000 HR. ISR, Fluorescent, (3) 48" T-8 lamp, Premium IS Ballast, VHLO (BF> 1.1)	ELEC-PREM	3	28	0.097	
F44WLL-R (G4)	F28T8-PREM-ES	>= 86 CRI, >= 20,000 HR, ISR, Fluorescent, (4) 48" T-8 lamp, Premium IS Ballast, RLO (BF <0.85)	ELEC-PREM-R	4	25	0.079	
F44WLL (G4)	F28T8-PREM-ES	>= 86 CRI, >= 20,000 HR, ISR, Fluorescent, (4) 48" T-8 lamp, Premium IS Ballast, NLO (BF:.85-.95)	ELEC-PREM	4	25	0.090	
F44WLL-R (G4)	F28T8-PREM-ES	>= 82 CRI, >= 18,000 HR. ISR, Fluorescent, (4) 48" T-8 lamp, Premium IS Ballast, RLO (BF<0.85)	ELEC-PREM-R	4	28	0.084	
F44WLL (G4)	F28T8-PREM-ES	>= 82 CRI, >= 18,000 HR. ISR, Fluorescent, (4) 48" T-8 lamp, Premium IS Ballast, NLO (BF:.85-.95)	ELEC-PREM	4	28	0.099	
<b><i>T5 and T5HO Linear Fluorescent Systems</i></b>							
F21PHL	F24T5/HO	Fluorescent, (1) 22", T5/HO lamp, Instant Start Ballast, (BF: 1.00)	Electronic	1	24	0.027	
F21PL	F14T5	Fluorescent, (1) 22", T5 lamp, Instant Start Ballast, (BF: 1.00)	Electronic	1	14	0.018	
F22PHL	F24T5/HO	Fluorescent, (2) 22", T5/HO lamp, Instant Start Ballast, (BF: 1.00)	Electronic	2	24	0.052	
F22PL	F14T5	Fluorescent, (2) 22", T5 lamp, Instant Start Ballast, (BF: 1.00)	Electronic	2	14	0.034	

<b>SORTED by</b>							
FIXTURE CODE	LAMP CODE	DESCRIPTION	BALLAST	LAMP/ FIXT	NOM. W/LAMP	kW/ FIXT	
F23PHL/2	F24T5/HO	Fluorescent, (3) 22", T5/HO lamp, (2) Instant Start Ballasts, (BF: 1.00)	Electronic	3	24	0.079	
F23PL/2	F14T5	Fluorescent, (3) 22", T5 lamp, (2) Instant Start Ballasts, (BF: 1.00)	Electronic	3	14	0.052	
F24PHL/2	F24T5/HO	Fluorescent, (4) 22", T5/HO lamp, (2) Instant Start Ballast, (BF: 1.00)	Electronic	4	24	0.104	
F24PL/2	F14T5	Fluorescent, (4) 22", T5 lamp, (2) Instant Start Ballasts, (BF: 1.00)	Electronic	4	14	0.068	
F31PHL	F39T5/HO	Fluorescent, (1) 34", T5/HO lamp, Instant Start Ballast, (BF: 1.00)	Electronic	1	39	0.042	
F31PL	F21T5	Fluorescent, (1) 34", T5 lamp, Instant Start Ballast, (BF: 1.00)	Electronic	1	21	0.025	
F32PHL	F39T5/HO	Fluorescent, (2) 34", T5/HO lamp, Instant Start Ballast, (BF: 1.00)	Electronic	2	39	0.085	
F32PL	F21T5	Fluorescent, (2) 34", T5 lamp, Instant Start Ballast, (BF: 1.00)	Electronic	2	21	0.048	
F33PHL/2	F39T5/HO	Fluorescent, (3) 34", T5/HO lamp, (2) Instant Start Ballasts, (BF: 1.00)	Electronic	3	39	0.127	
F33PL/2	F21T5	Fluorescent, (3) 34", T5 lamp, (2) Instant Start Ballasts, (BF: 1.00)	Electronic	3	21	0.073	
F34PHL/2	F39T5/HO	Fluorescent, (4) 34", T5/HO lamp, (2) Instant Start Ballast, (BF: 1.00)	Electronic	4	39	0.170	
F34PL/2	F21T5	Fluorescent, (4) 34", T5 lamp, (2) Instant Start Ballasts, (BF: 1.00)	Electronic	4	21	0.096	
F36PHL/3	F39T5/HO	Fluorescent, (6) 34", T5/HO lamp, (3) Instant Start Ballast, (BF: 1.00)	Electronic	6	39	0.255	
F38PHL/4	F39T5/HO	Fluorescent, (8) 34", T5/HO lamp, (4) Instant Start Ballast, (BF: 1.00)	Electronic	8	39	0.340	
F41PHL	F54T5/HO	Fluorescent, (1) 46", T5/HO lamp, Instant Start Ballast, (BF: 1.00)	Electronic	1	54	0.062	
F41PHL/T2	F54T5/HO	Fluorescent, (1) 46", T5/HO lamp, Instant Start Ballast, (BF: 1.00), Tandem 2 Lamp Ballast	Electronic	1	54	0.059	
F41PL	F28T5	Fluorescent, (1) 46", T5 lamp, Instant Start Ballast, (BF: 1.00)	Electronic	1	28	0.033	
F41PL/T2	F28T5	Fluorescent, (1) 46", T5 lamp, Instant Start Ballast, (BF: 1.00), Tandem 2 Lamp Ballast	Electronic	1	28	0.032	
F42PHL	F54T5/HO	Fluorescent, (2) 46", T5/HO lamp, Instant Start Ballast, (BF: 1.00)	Electronic	2	54	0.117	
F42PL	F28T5	Fluorescent, (2) 46", T5 lamp, Instant Start Ballast, (BF: 1.00)	Electronic	2	28	0.064	
F43PHL/2	F54T5/HO	Fluorescent, (3) 46", T5/HO lamp, (2) Instant Start Ballasts, (BF: 1.00)	Electronic	3	54	0.179	
F43PL/2	F28T5	Fluorescent, (3) 46", T5 lamp, (2) Instant Start Ballasts, (BF: 1.00)	Electronic	3	28	0.097	
F44PHL/2	F54T5/HO	Fluorescent, (4) 46", T5/HO lamp, (2) Instant Start Ballast, (BF: 1.00)	Electronic	4	54	0.234	

<b>SORTED by</b>							
FIXTURE CODE	LAMP CODE	DESCRIPTION	BALLAST	LAMP/ FIXT	NOM. W/LAMP	kW/ FIXT	
F44PL/2	F28T5	Fluorescent, (4) 46", T5 lamp, (2) Instant Start Ballasts, (BF: 1.00)	Electronic	4	28	0.128	
F46PHL/3	F54T5/HO	Fluorescent, (6) 46", T5/HO lamp, (3) Instant Start Ballast, (BF: 1.00)	Electronic	6	54	0.351	
F46PL/3	F28T5	Fluorescent, (6) 46", T5 lamp, (3) Instant Start Ballasts, (BF: 1.00)	Electronic	6	28	0.192	
F48PHL/4	F54T5/HO	Fluorescent, (8) 46", T5/HO lamp, (4) Instant Start Ballast, (BF: 1.00)	Electronic	8	54	0.468	
F48PL/4	F28T5	Fluorescent, (8) 46", T5 lamp, (4) Instant Start Ballasts, (BF: 1.00)	Electronic	8	28	0.256	
F51PHL	F80T5/HO	Fluorescent, (1) 58", T5/HO lamp, Instant Start Ballast, (BF: 1.00)	Electronic	1	80	0.089	
F51PL	F35T5	Fluorescent, (1) 58", T5 lamp, Instant Start Ballast, (BF: 1.00)	Electronic	1	35	0.040	
F52PL	F35T5	Fluorescent, (2) 58", T5 lamp, Instant Start Ballast, (BF: 1.00)	Electronic	2	35	0.078	
F53PL/2	F35T5	Fluorescent, (3) 58", T5 lamp, (2) Instant Start Ballasts, (BF: 1.00)	Electronic	3	35	0.118	
F54PL/2	F35T5	Fluorescent, (4) 58", T5 lamp, (2) Instant Start Ballasts, (BF: 1.00)	Electronic	4	35	0.156	
F56PL/3	F35T5	Fluorescent, (6) 58", T5 lamp, (3) Instant Start Ballasts, (BF: 1.00)	Electronic	6	35	0.234	
F58PL/4	F35T5	Fluorescent, (8) 58", T5 lamp, (4) Instant Start Ballasts, (BF: 1.00)	Electronic	8	35	0.312	
<b>Other Linear Fluorescent Fixtures</b>							
F1.51LS	F15T8	Fluorescent, (1) 18" T8 lamp	Mag-STD	1	15	0.019	
F1.51SS	F15T12	Fluorescent, (1) 18" T12 lamp	Mag-STD	1	15	0.019	
F1.52LS	F15T8	Fluorescent, (2) 18" T8 lamp	Mag-STD	2	15	0.036	
F1.52SS	F15T12	Fluorescent, (2) 18", T12 lamp	Mag-STD	2	15	0.036	
F21ILL	F17T8	Fluorescent, (1) 24", T-8 lamp, Instant Start Ballast, NLO (BF: .85-.95)	Electronic	1	17	0.020	
F21ILL/T2	F17T8	Fluorescent, (1) 24", T-8 lamp, Instant Start Ballast, NLO (BF: .85-.95), Tandem 2 Lamp Ballast	Electronic	1	17	0.017	
F21ILL/T2-R	F17T8	Fluorescent, (1) 24", T-8 lamp, Instant Start Ballast, RLO (BF<.85), Tandem 2 Lamp Ballast	Electronic	1	17	0.015	
F21ILL/T3	F17T8	Fluorescent, (1) 24", T-8 lamp, Instant Start Ballast, NLO (BF: .85-.95), Tandem 3 Lamp Ballast	Electronic	1	17	0.016	
F21ILL/T3-R	F17T8	Fluorescent, (1) 24", T-8 lamp, Instant Start Ballast, RLO (BF<.85), Tandem 3 Lamp Ballast	Electronic	1	17	0.014	

<b>SORTED by</b>							
FIXTURE CODE	LAMP CODE	DESCRIPTION	BALLAST	LAMP/ FIXT	NOM. W/LAMP	kW/ FIXT	
F21ILL/T4	F17T8	Fluorescent, (1) 24", T-8 lamp, Instant Start Ballast, NLO (BF: .85-.95), Tandem 4 Lamp Ballast	Electronic	1	17	0.015	
F21ILL/T4-R	F17T8	Fluorescent, (1) 24", T-8 lamp, Instant Start Ballast, RLO (BF<.85), Tandem 4 Lamp Ballast	Electronic	1	17	0.014	
F21LL	F17T8	Fluorescent, (1) 24", T-8 lamp, Rapid Start Ballast, NLO (BF: .85-.95)	Electronic	1	17	0.016	
F21LL/T2	F17T8	Fluorescent, (1) 24", T-8 lamp, Rapid Start Ballast, NLO (BF: .85-.95), Tandem 2 Lamp Ballast	Electronic	1	17	0.016	
F21LL/T3	F17T8	Fluorescent, (1) 24", T-8 lamp, Rapid Start Ballast, NLO (BF: .85-.95), Tandem 3 Lamp Ballast	Electronic	1	17	0.017	
F21LL/T4	F17T8	Fluorescent, (1) 24", T-8 lamp, Rapid Start Ballast, NLO (BF: .85-.95), Tandem 4 Lamp Ballast	Electronic	1	17	0.017	
F21LL-R	F17T8	Fluorescent, (1) 24", T-8 lamp, Rapid Start Ballast, RLO (BF<0.85)	Electronic	1	17	0.015	
F21LS	F17T8	Fluorescent, (1) 24", T8 lamp, Standard Ballast	Mag-STD	1	17	0.024	
F21SS	F20T12	Fluorescent, (1) 24", STD lamp	Mag-STD	1	20	0.028	
F22ILL	F17T8	Fluorescent, (2) 24", T-8 lamp, Instant Start Ballast, NLO (BF: .85-.95)	Electronic	2	17	0.033	
F22ILL/T4	F17T8	Fluorescent, (2) 24", T-8 lamp, Instant Start Ballast, NLO (BF: .85-.95), Tandem 4 Lamp Ballast	Electronic	2	17	0.031	
F22ILL/T4-R	F17T8	Fluorescent, (2) 24", T-8 lamp, Instant Start Ballast, RLO (BF<.85), Tandem 4 Lamp Ballast	Electronic	2	17	0.028	
F22ILL-R	F17T8	Fluorescent, (2) 24", T-8 lamp, Instant Start Ballast, RLO (BF<0.85)	Electronic	2	17	0.029	
F22LL	F17T8	Fluorescent, (2) 24", T-8 lamp, Rapid Start Ballast, NLO (BF: .85-.95)	Electronic	2	17	0.031	
F22LL/T4	F17T8	Fluorescent, (2) 24", T-8 lamp, Rapid Start Ballast, NLO (BF: .85-.95), Tandem 4 Lamp Ballast	Electronic	2	17	0.034	
F22LL-R	F17T8	Fluorescent, (2) 24", T-8 lamp, Rapid Start Ballast, RLO (BF<0.85)	Electronic	2	17	0.028	
F22SS	F20T12	Fluorescent, (2) 24", STD lamp	Mag-STD	2	20	0.056	
F23ILL	F17T8	Fluorescent, (3) 24", T-8 lamp, Instant Start Ballast, NLO (BF: .85-.95)	Electronic	3	17	0.047	
F23ILL-H	F17T8	Fluorescent, (3) 24", T-8 lamp, Instant Start Ballast, HLO (BF:.96-1.1)	Electronic	3	17	0.049	

<b>SORTED by</b>							
FIXTURE CODE	LAMP CODE	DESCRIPTION	BALLAST	LAMP/ FIXT	NOM. W/LAMP	kW/ FIXT	
F23ILL-R	F17T8	Fluorescent, (3) 24", T-8 lamp, Instant Start Ballast, RLO (BF<0.85)	Electronic	3	17	0.043	
F23LL	F17T8	Fluorescent, (3) 24", T-8 lamp, Rapid Start Ballast, NLO (BF: .85-.95)	Electronic	3	17	0.052	
F23LL-R	F17T8	Fluorescent, (3) 24", T-8 lamp, Rapid Start Ballast, RLO (BF<0.85)	Electronic	3	17	0.041	
F23SS	F20T12	Fluorescent, (3) 24", STD lamp	Mag-STD	3	20	0.062	
F24ILL	F17T8	Fluorescent, (4) 24", T-8 lamp, Instant Start Ballast, NLO (BF: .85-.95)	Electronic	4	17	0.061	
F24ILL-R	F17T8	Fluorescent, (4) 24", T-8 lamp, Instant Start Ballast, RLO (BF<0.85)	Electronic	4	17	0.055	
F24LL	F17T8	Fluorescent, (4) 24", T-8 lamp, Rapid Start Ballast, NLO (BF: .85-.95)	Electronic	4	17	0.068	
F24LL-R	F17T8	Fluorescent, (4) 24", T-8 lamp, Rapid Start Ballast, RLO (BF<0.85)	Electronic	4	17	0.057	
F24SS	F20T12	Fluorescent, (4) 24", STD lamp	Mag-STD	4	20	0.112	
F26SS	F20T12	Fluorescent, (6) 24", STD lamp	Mag-STD	6	20	0.146	
F31EE/T2	F30T12/ES	Fluorescent, (1) 36", ES lamp, Tandem wired	Mag-ES	1	25	0.033	
F31EL	F30T12/ES	Fluorescent, (1) 36", ES lamp	Electronic	1	25	0.026	
F31ES	F30T12/ES	Fluorescent, (1) 36", ES lamp	Mag-STD	1	25	0.042	
F31ES/T2	F30T12/ES	Fluorescent, (1) 36", ES lamp, Tandem wired	Mag-STD	1	25	0.037	
F31ILL	F25T8	Fluorescent, (1) 36", T-8 lamp, Instant Start Ballast, NLO (BF: .85-.95)	Electronic	1	25	0.026	
F31ILL/T2	F25T8	Fluorescent, (1) 36", T-8 lamp, Instant Start Ballast, NLO (BF: .85-.95), Tandem 2 Lamp Ballast	Electronic	1	25	0.023	
F31ILL/T2-H	F25T8	Fluorescent, (1) 36", T-8 lamp, Instant Start Ballast, HLO (BF: .96-1.1), Tandem 2 Lamp Ballast	Electronic	1	25	0.024	
F31ILL/T2-R	F25T8	Fluorescent, (1) 36", T-8 lamp, Instant Start Ballast, RLO (BF: .85-.95), Tandem 2 Lamp Ballast	Electronic	1	25	0.023	
F31ILL/T3	F25T8	Fluorescent, (1) 36", T-8 lamp, Instant Start Ballast, NLO (BF: .85-.95), Tandem 3 Lamp Ballast	Electronic	1	25	0.022	
F31ILL/T3-R	F25T8	Fluorescent, (1) 36", T-8 lamp, Instant Start Ballast, RLO (BF<.85), Tandem 3 Lamp Ballast	Electronic	1	25	0.022	

<b>SORTED by</b>							
FIXTURE CODE	LAMP CODE	DESCRIPTION	BALLAST	LAMP/ FIXT	NOM. W/LAMP	kW/ FIXT	
F31ILL/T4	F25T8	Fluorescent, (1) 36", T-8 lamp, Instant Start Ballast, NLO (BF: .85-.95), Tandem 4 Lamp Ballast	Electronic	1	25	0.022	
F31ILL/T4-R	F25T8	Fluorescent, (1) 36", T-8 lamp, Instant Start Ballast, RLO (BF<.85), Tandem 4 Lamp Ballast	Electronic	1	25	0.022	
F31ILL-H	F25T8	Fluorescent, (1) 36", T-8 lamp, Instant Start Ballast, HLO (BF:.96-1.1)	Electronic	1	25	0.028	
F31ILL-R	F25T8	Fluorescent, (1) 36", T-8 lamp, Instant Start Ballast, RLO (BF<0.85)	Electronic	1	25	0.027	
F31LL	F25T8	Fluorescent, (1) 36", T-8 lamp, Rapid Start Ballast, NLO (BF: .85-.95)	Electronic	1	25	0.024	
F31LL/T2	F25T8	Fluorescent, (1) 36", T-8 lamp, Rapid Start Ballast, NLO (BF: .85-.95), Tandem 2 Lamp Ballast	Electronic	1	25	0.023	
F31LL/T3	F25T8	Fluorescent, (1) 36", T-8 lamp, Rapid Start Ballast, NLO (BF: .85-.95), Tandem 3 Lamp Ballast	Electronic	1	25	0.024	
F31LL/T4	F25T8	Fluorescent, (1) 36", T-8 lamp, Rapid Start Ballast, NLO (BF: .85-.95), Tandem 4 Lamp Ballast	Electronic	1	25	0.022	
F31LL-H	F25T8	Fluorescent, (1) 36", T-8 lamp, Rapid Start Ballast, HLO (BF:.96-1.1)	Electronic	1	25	0.026	
F31LL-R	F25T8	Fluorescent, (1) 36", T-8 lamp, Rapid Start Ballast, RLO (BF<0.85)	Electronic	1	25	0.023	
F31SE/T2	F30T12	Fluorescent, (1) 36", STD lamp, Tandem wired	Mag-ES	1	30	0.037	
F31SHS	F36T12/HO	Fluorescent, (1) 36", HO lamp	Mag-STD	1	50	0.070	
F31SL	F30T12	Fluorescent, (1) 36", STD lamp	Electronic	1	30	0.031	
F31SS	F30T12	Fluorescent, (1) 36", STD lamp	Mag-STD	1	30	0.046	
F31SS/T2	F30T12	Fluorescent, (1) 36", STD lamp, Tandem wired	Mag-STD	1	30	0.041	
F32EE	F30T12/ES	Fluorescent, (2) 36", ES lamp	Mag-ES	2	25	0.066	
F32EL	F30T12/ES	Fluorescent, (2) 36", ES lamp	Electronic	2	25	0.050	
F32ES	F30T12/ES	Fluorescent, (2) 36", ES lamp	Mag-STD	2	25	0.073	
F32ILL	F25T8	Fluorescent, (2) 36", T-8 lamp, Instant Start Ballast, NLO (BF: .85-.95)	Electronic	2	25	0.046	
F32ILL/T4	F25T8	Fluorescent, (2) 36", T-8 lamp, Instant Start Ballast, NLO (BF: .85-.95), Tandem 4 Lamp Ballast	Electronic	2	25	0.044	

<b>SORTED by</b>						
FIXTURE CODE	LAMP CODE	DESCRIPTION	BALLAST	LAMP/ FIXT	NOM. W/LAMP	kW/ FIXT
F32ILL/T4-R	F25T8	Fluorescent, (2) 36", T-8 lamp, Instant Start Ballast, RLO (BF<.85), Tandem 4 Lamp Ballast	Electronic	2	25	0.043
F32ILL-H	F25T8	Fluorescent, (2) 36", T-8 lamp, Instant Start Ballast, HLO (BF:.96-1.1)	Electronic	2	25	0.048
F32ILL-R	F25T8	Fluorescent, (2) 36", T-8 lamp, Instant Start Ballast, RLO (BF<0.85)	Electronic	2	25	0.046
F32LL	F25T8	Fluorescent, (2) 36", T-8 lamp, Rapid Start Ballast, NLO (BF: .85-.95)	Electronic	2	25	0.046
F32LL/T4	F25T8	Fluorescent, (2) 36", T-8 lamp, Rapid Start Ballast, NLO (BF: .85-.95), Tandem 4 Lamp Ballast	Electronic	2	25	0.045
F32LL-H	F25T8	Fluorescent, (2) 36", T-8 lamp, Rapid Start Ballast, HLO (BF:.96-1.1)	Electronic	2	25	0.050
F32LL-R	F25T8	Fluorescent, (2) 36", T-8 lamp, Rapid Start Ballast, RLO (BF<0.85)	Electronic	2	25	0.042
F32LL-V	F25T8	Fluorescent, (2) 36", T-8 lamp, Rapid Start Ballast, VHLO (BF>1.1)	Electronic	2	25	0.070
F32SE	F30T12	Fluorescent, (2) 36", STD lamp	Mag-ES	2	30	0.074
F32SHS	F36T12/HO	Fluorescent, (2) 36", HO, lamp	Mag-STD	2	50	0.114
F32SL	F30T12	Fluorescent, (2) 36", STD lamp	Electronic	2	30	0.058
F32SS	F30T12	Fluorescent, (2) 36", STD lamp	Mag-STD	2	30	0.081
F33ES	F30T12/ES	Fluorescent, (3) 36", ES lamp	Mag-STD	3	25	0.115
F33ILL	F25T8	Fluorescent, (3) 36", T-8 lamp, Instant Start Ballast, NLO (BF: .85-.95)	Electronic	3	25	0.067
F33ILL-R	F25T8	Fluorescent, (3) 36", T-8 lamp, Instant Start Ballast, RLO (BF<0.85)	Electronic	3	25	0.066
F33LL	F25T8	Fluorescent, (3) 36", T-8 lamp, Rapid Start Ballast, NLO (BF: .85-.95)	Electronic	3	25	0.072
F33LL-R	F25T8	Fluorescent, (3) 36", T-8 lamp, Rapid Start Ballast, RLO (BF<0.85)	Electronic	3	25	0.062
F33SE	F30T12	Fluorescent, (3) 36", STD lamp, (1) STD ballast and (1) ES ballast	Mag-ES	3	30	0.120
F33SS	F30T12	Fluorescent, (3) 36", STD lamp	Mag-STD	3	30	0.127
F34ILL	F25T8	Fluorescent, (4) 36", T-8 lamp, Instant Start Ballast, NLO (BF: .85-.95)	Electronic	4	25	0.087
F34ILL-R	F25T8	Fluorescent, (4) 36", T-8 lamp, Instant Start Ballast, RLO (BF<0.85)	Electronic	4	25	0.086
F34LL	F25T8	Fluorescent, (4) 36", T-8 lamp, Rapid Start Ballast, NLO (BF: .85-.95)	Electronic	4	25	0.089
F34LL-R	F25T8	Fluorescent, (4) 36", T-8 lamp, Rapid Start Ballast, RLO (BF<0.85)	Electronic	4	25	0.084

<b>SORTED by</b>							
FIXTURE	LAMP				LAMP/	NOM.	kW/
CODE	CODE	DESCRIPTION	BALLAST	FIXT	W/LAMP		FIXT
F34SE	F30T12	Fluorescent, (4) 36", STD lamp	Mag-ES	4	30		0.148
F34SL	F30T12	Fluorescent, (4) 36", STD lamp	Electronic	4	30		0.116
F34SS	F30T12	Fluorescent, (4) 36", STD lamp	Mag-STD	4	30		0.162
F36EE	F30T12/ES	Fluorescent, (2) 36", ES lamp	Mag-ES	6	25		0.198
F36ILL-R	F25T8	Fluorescent, (6) 36", T-8 lamp, Instant Start Ballast, RLO (BF<.85)	Electronic	6	25		0.134
F36SE	F30T12	Fluorescent, (2) 36", STD lamp	Mag-ES	6	30		0.342
F40EE/D1	None	Fluorescent, (0) 48" lamp, Completely delamped fixture with (1) hot ballast	Mag-ES	1	0		0.004
F40EE/D2	None	Fluorescent, (0) 48" lamp, Completely delamped fixture with (2) hot ballast	Mag-ES	1	0		0.008
F41EE	F40T12/ES	Fluorescent, (1) 48", ES lamp	Mag-ES	1	34		0.043
F41EE/D2	F40T12/ES	Fluorescent, (1) 48", ES lamp, 2 ballast	Mag-ES	1	34		0.043
F41EE/T2	F40T12/ES	Fluorescent, (1) 48", ES lamp, tandem wired, 2-lamp ballast	Mag-ES	1	34		0.036
F41EHS	F48T12/HO/ES	Fluorescent, (1) 48", ES HO lamp	Mag-STD	1	55		0.080
F41EL	F40T12/ES	Fluorescent, (1) 48", T12 ES lamp, Electronic Ballast	Electronic	1	34		0.032
F41IAL	F25T12	Fluorescent, (1) 48", F25T12 lamp, Instant Start Ballast	Electronic	1	25		0.025
F41IAL/T2-R	F25T12	Fluorescent, (1) 48", F25T12 lamp, Instant Start, Tandem 2-Lamp Ballast, RLO (BF<0.85)	Electronic	1	25		0.019
F41IAL/T3-R	F25T12	Fluorescent, (1) 48", F25T12 lamp, Instant Start, Tandem 3-Lamp Ballast, RLO (BF<0.85)	Electronic	1	25		0.020
F41SHS	F48T12/HO	Fluorescent, (1) 48", STD HO lamp	Mag-STD	1	60		0.085
F41SVS	F48T12/VHO	Fluorescent, (1) 48", STD VHO lamp	Mag-STD	1	110		0.135
F41TS	F40T10	Fluorescent, (1) 48", T-10 lamp	Mag-STD	1	40		0.051
F42EE	F40T12/ES	Fluorescent, (2) 48", ES lamp	Mag-ES	2	34		0.072
F42EE/D2	F40T12/ES	Fluorescent, (2) 48", ES lamp, 2 Ballasts (delamped)	Mag-ES	2	34		0.076
F42EL	F40T12/ES	Fluorescent, (2) 48", T12 ES lamps, Electronic Ballast	Electronic	2	34		0.060



<b>SORTED by</b>						
FIXTURE CODE	LAMP CODE	DESCRIPTION	BALLAST	LAMP/ FIXT	NOM. W/LAMP	kW/ FIXT
F42IAL/T4-R	F25T12	Fluorescent, (2) 48", F25T12 lamp, Instant Start, Tandem 4-Lamp Ballast, RLO (BF<0.85)	Electronic	2	25	0.040
F42IAL-R	F25T12	Fluorescent, (2) 48", F25T12 lamp, Instant Start Ballast, RLO (BF<0.85)	Electronic	2	25	0.039
F42SHS	F48T12/HO	Fluorescent, (2) 48", STD HO lamp	Mag-STD	2	60	0.145
F42SVS	F48T12/VHO	Fluorescent, (2) 48", STD VHO lamp	Mag-STD	2	110	0.242
F43EE	F40T12/ES	Fluorescent, (3) 48", ES lamp	Mag-ES	3	34	0.115
F43EHS	F42T12/HO/ES	Fluorescent, (3) 42", HO lamp (3.5' lamp)	Mag-STD	3	55	0.215
F43EL	F40T12/ES	Fluorescent, (3) 48", T12 ES lamps, Electronic Ballast	Electronic	3	34	0.092
F43IAL-R	F25T12	Fluorescent, (3) 48", F25T12 lamp, Instant Start Ballast, RLO (BF<0.85)	Electronic	3	25	0.060
F43SHS	F48T12/HO	Fluorescent, (3) 48", STD HO lamp	Mag-STD	3	60	0.230
F43SVS	F48T12/VHO	Fluorescent, (3) 48", STD VHO lamp	Mag-STD	3	110	0.377
F44EE	F40T12/ES	Fluorescent, (4) 48", ES lamp	Mag-ES	4	34	0.144
F44EE/D4	F40T12/ES	Fluorescent, (4) 48", ES lamp, 4 Ballasts (delamped)	Mag-ES	4	34	0.152
F44EHS	F48T12/HO/ES	Fluorescent, (4) 48", ES HO lamp	Mag-STD	4	55	0.270
F44EL	F40T12/ES	Fluorescent, (4) 48", T12 ES lamps, Electronic Ballast	Electronic	4	34	0.120
F44EVS	F48T12/VHO/ES	Fluorescent, (4) 48", VHO ES lamp	Mag-STD	4	95	0.420
F44IAL-R	F25T12	Fluorescent, (4) 48", F25T12 lamp, Instant Start Ballast, RLO (BF<0.85)	Electronic	4	25	0.080
F44SHS	F48T12/HO	Fluorescent, (4) 48", STD HO lamp	Mag-STD	4	60	0.290
F44SVS	F48T12/VHO	Fluorescent, (4) 48", STD VHO lamp	Mag-STD	4	110	0.484
F46EE	F40T12/ES	Fluorescent, (6) 48", ES lamp	Mag-ES	6	34	0.216
F46EL	F40T12/ES	Fluorescent, (6) 48", ES lamp	Electronic	6	34	0.186
F48EE	F40T12/ES	Fluorescent, (8) 48", ES lamp	Mag-ES	8	34	0.288
F51ILL	F40T8	Fluorescent, (1) 60", T-8 lamp, Instant Start Ballast, NLO (BF: .85-.95)	Electronic	1	40	0.036
F51ILL/T2	F40T8	Fluorescent, (1) 60", T-8 lamp, Instant Start Ballast, NLO (BF: .85-.95), Tandem 2 Lamp Ballast	Electronic	1	40	0.036

<b>SORTED by</b>							
FIXTURE CODE	LAMP CODE	DESCRIPTION	BALLAST	LAMP/ FIXT	NOM. W/LAMP	kW/ FIXT	
F51ILL/T3	F40T8	Fluorescent, (1) 60", T-8 lamp, Instant Start Ballast, NLO (BF: .85-.95), Tandem 3 Lamp Ballast	Electronic	1	40	0.035	
F51ILL/T4	F40T8	Fluorescent, (1) 60", T-8 lamp, Instant Start Ballast, NLO (BF: .85-.95), Tandem 4 Lamp Ballast	Electronic	1	40	0.034	
F51ILL-R	F40T8	Fluorescent, (1) 60", T-8 lamp, Instant Start Ballast, RLO (BF<0.85)	Electronic	1	40	0.043	
F51SHE	F60T12/HO	Fluorescent, (1) 60", STD HO lamp	Mag-ES	1	75	0.088	
F51SHL	F60T12/HO	Fluorescent, (1) 60", STD HO lamp	Electronic	1	75	0.069	
F51SHS	F60T12/HO	Fluorescent, (1) 60", STD HO lamp	Mag-STD	1	75	0.092	
F51SL	F60T12	Fluorescent, (1) 60", STD lamp	Electronic	1	50	0.044	
F51SS	F60T12	Fluorescent, (1) 60", STD lamp	Mag-STD	1	50	0.063	
F51SVS	F60T12/VHO	Fluorescent, (1) 60", VHO ES lamp	Mag-STD	1	135	0.165	
F52ILL	F40T8	Fluorescent, (2) 60", T-8 lamp, Instant Start Ballast, NLO (BF: .85-.95)	Electronic	2	40	0.072	
F52ILL/T4	F40T8	Fluorescent, (2) 60", T-8 lamp, Instant Start Ballast, NLO (BF: .85-.95), Tandem 2 Lamp Ballast	Electronic	2	40	0.067	
F52ILL-H	F40T8	Fluorescent, (2) 60", T-8 lamp, Instant Start Ballast, HLO (BF:.96-1.1)	Electronic	2	40	0.080	
F52ILL-R	F40T8	Fluorescent, (2) 60", T-8 lamp, Instant Start Ballast, RLO (BF<0.85)	Electronic	2	40	0.073	
F52SHE	F60T12/HO	Fluorescent, (2) 60", STD HO lamp	Mag-ES	2	75	0.176	
F52SHL	F60T12/HO	Fluorescent, (2) 60", STD HO lamp	Electronic	2	75	0.138	
F52SHS	F60T12/HO	Fluorescent, (2) 60", STD HO lamp	Mag-STD	2	75	0.168	
F52SL	F60T12	Fluorescent, (2) 60", STD lamp	Electronic	2	50	0.088	
F52SS	F60T12	Fluorescent, (2) 60", STD lamp	Mag-STD	2	50	0.128	
F52SVS	F60T12/VHO	Fluorescent, (2) 60", VHO ES lamp	Mag-STD	2	135	0.310	
F53ILL	F40T8	Fluorescent, (3) 60", T-8 lamp, Instant Start Ballast, NLO (BF: .85-.95)	Electronic	3	40	0.106	
F53ILL-H	F40T8	Fluorescent, (3) 60", T-8 lamp, Instant Start Ballast, HLO (BF:.96-1.1)	Electronic	3	40	0.108	
F54ILL	F40T8	Fluorescent, (4) 60", T-8 lamp, Instant Start Ballast, NLO (BF: .85-.95)	Electronic	4	40	0.134	

<b>SORTED by</b>							
FIXTURE CODE	LAMP CODE	DESCRIPTION	BALLAST	LAMP/ FIXT	NOM. W/LAMP	kW/ FIXT	
F54ILL-H	F40T8	Fluorescent, (4) 60", T-8 lamp, Instant Start Ballast, HLO (BF:.96-1.1)	Electronic	4	40	0.126	
F61ISL	F72T12	Fluorescent, (1) 72", STD lamp, IS electronic ballast	Electronic	1	55	0.068	
F61SHS	F72T12/HO	Fluorescent, (1) 72", STD HO lamp	Mag-STD	1	85	0.120	
F61SS	F72T12	Fluorescent, (1) 72", STD lamp	Mag-STD	1	55	0.076	
F61SVS	F72T12/VHO	Fluorescent, (1) 72", VHO lamp	Mag-STD	1	160	0.180	
F62ISL	F72T12	Fluorescent, (2) 72", STD lamp, IS electronic ballast	Electronic	2	55	0.108	
F62SE	F72T12	Fluorescent, (2) 72", STD lamp	Mag-ES	2	55	0.122	
F62SHE	F72T12/HO	Fluorescent, (2) 72", STD HO lamp	Mag-ES	2	85	0.194	
F62SHS	F72T12/HO	Fluorescent, (2) 72", STD HO lamp	Mag-STD	2	85	0.220	
F62SL	F72T12	Fluorescent, (2) 72", STD lamp	Electronic	2	55	0.108	
F62SS	F72T12	Fluorescent, (2) 72", STD lamp	Mag-STD	2	55	0.122	
F62SVS	F72T12/VHO	Fluorescent, (2) 72", VHO lamp	Mag-STD	2	160	0.330	
F63ISL	F72T12	Fluorescent, (3) 72", STD lamp, IS electronic ballast	Electronic	3	55	0.176	
F63SS	F72T12	Fluorescent, (3) 72", STD lamp	Mag-STD	3	55	0.202	
F64ISL	F72T12	Fluorescent, (4) 72", STD lamp, IS electronic ballast	Electronic	4	55	0.216	
F64SE	F72T12	Fluorescent, (4) 72", STD lamp	Mag-ES	4	55	0.244	
F64SHE	F72T12/HO	Fluorescent, (4) 72", HO lamp	Mag-ES	4	85	0.388	
F64SS	F72T12	Fluorescent, (4) 72", STD lamp	Mag-STD	4	56	0.244	
F81EE/T2	F96T12/ES	Fluorescent, (1) 96", ES lamp, tandem to 2-lamp ballst	Mag-ES	1	60	0.062	
F81EHL	F96T12/HO/ES	Fluorescent, (1) 96", ES HO lamp	Electronic	1	95	0.080	
F81EHS	F96T12/HO/ES	Fluorescent, (1) 96", ES HO lamp	Mag-STD	1	95	0.112	
F81EL	F96T12/ES	Fluorescent, (1) 96", ES lamp	Electronic	1	60	0.069	
F81ES	F96T12/ES	Fluorescent, (1) 96", ES lamp	Mag-STD	1	60	0.075	
F81ES/T2	F96T12/ES	Fluorescent, (1) 96", ES lamp, tandem to 2-lamp ballast	Mag-STD	1	60	0.064	

<b>SORTED by</b>							
FIXTURE CODE	LAMP CODE	DESCRIPTION	BALLAST	LAMP/ FIXT	NOM. W/LAMP	kW/ FIXT	
F81EVS	F96T12/VHO/ES	Fluorescent, (1) 96", ES VHO lamp	Mag-STD	1	185	0.205	
F81ILL	F96T8	Fluorescent, (1) 96", T-8 lamp, Instant Start Ballast, NLO (BF: .85-.95)	Electronic	1	59	0.058	
F81ILL/T2	F96T8	Fluorescent, (1) 96", T-8 lamp, Instant Start Ballast, NLO (BF: .85-.95), Tandem 2 Lamp Ballast	Electronic	1	59	0.055	
F81ILL/T2-R	F96T8	Fluorescent, (1) 96", T-8 lamp, Instant Start Ballast, RLO (BF<.85), Tandem 2 Lamp Ballast	Electronic	1	59	0.049	
F81ILL-H	F96T8	Fluorescent, (1) 96", T-8 lamp, Instant Start Ballast, HLO (BF:.96-1.1)	Electronic	1	59	0.068	
F81ILL-R	F96T8	Fluorescent, (1) 96", T-8 lamp, Instant Start Ballast, RLO (BF<0.85)	Electronic	1	59	0.057	
F81ILL-V	F96T8	Fluorescent, (1) 96", T-8 lamp, Instant Start Ballast, VHLO (BF>1.1)	Electronic	1	59	0.071	
F82EE	F96T12/ES	Fluorescent, (2) 96", ES lamp	Mag-ES	2	60	0.123	
F82EHE	F96T12/HO/ES	Fluorescent, (2) 96", ES HO lamp	Mag-ES	2	95	0.207	
F82EHL	F96T12/HO/ES	Fluorescent, (2) 96", ES HO lamp	Electronic	2	95	0.173	
F82EHS	F96T12/HO/ES	Fluorescent, (2) 96", ES HO lamp	Mag-STD	2	95	0.227	
F82EL	F96T12/ES	Fluorescent, (2) 96", ES lamp	Electronic	2	60	0.110	
F82ES	F96T12/ES	Fluorescent, (2) 96", ES lamp	Mag-STD	2	60	0.128	
F82EVS	F96T12/VHO/ES	Fluorescent, (2) 96", ES VHO lamp	Mag-STD	2	185	0.380	
F82ILL	F96T8	Fluorescent, (2) 96", T-8 lamp, Instant Start Ballast, NLO (BF: .85-.95)	Electronic	2	59	0.109	
F82ILL-R	F96T8	Fluorescent, (2) 96", T-8 lamp, Instant Start Ballast, RLO (BF<0.85)	Electronic	2	59	0.098	
F83EE	F96T12/ES	Fluorescent, (3) 96", ES lamp	Mag-ES	3	60	0.210	
F83EHE	F96T12/HO/ES	Fluorescent, (3) 96", ES HO lamp, (1) 2-lamp ES Ballast, (1) 1-lamp STD Ballast	Mag-ES/STD	3	95	0.319	
F83EHS	F96T12/HO/ES	Fluorescent, (3) 96", ES HO lamp	Mag-STD	3	95	0.380	
F83EL	F96T12/ES	Fluorescent, (3) 96", ES lamp	Electronic	3	60	0.179	
F83ES	F96T12/ES	Fluorescent, (3) 96", ES lamp	Mag-STD	3	60	0.203	
F83EVS	F96T12/VHO/ES	Fluorescent, (3) 96", ES VHO lamp	Mag-STD	3	185	0.585	

<b>SORTED by</b>							
FIXTURE CODE	LAMP CODE	DESCRIPTION	BALLAST	LAMP/ FIXT	NOM. W/LAMP	kW/ FIXT	
F83ILL	F96T8	Fluorescent, (3) 96", T-8 lamp, Instant Start Ballast, NLO (BF: .85-.95)	Electronic	3	59	0.167	
F84EE	F96T12/ES	Fluorescent, (4) 96", ES lamp	Mag-ES	4	60	0.246	
F84EHE	F96T12/HO/ES	Fluorescent, (4) 96", ES HO lamp	Mag-ES	4	95	0.414	
F84EHL	F96T12/HO/ES	Fluorescent, (4) 96", ES HO lamp	Electronic	4	95	0.346	
F84EHS	F96T12/HO/ES	Fluorescent, (4) 96", ES HO lamp	Mag-STD	4	95	0.454	
F84EL	F96T12/ES	Fluorescent, (4) 96", ES lamp	Electronic	4	60	0.220	
F84ES	F96T12/ES	Fluorescent, (4) 96", ES lamp	Mag-STD	4	60	0.256	
F84EVS	F96T12/VHO/ES	Fluorescent, (4) 96", ES VHO lamp	Mag-STD	4	185	0.760	
F84ILL	F96T8	Fluorescent, (4) 96", T-8 lamp, Instant Start Ballast, NLO (BF: .85-.95)	Electronic	4	59	0.219	
F86EHS	F96T12/HO/ES	Fluorescent, (6) 96", ES HO lamp	Mag-STD	6	95	0.721	
F86ILL	F96T8	Fluorescent, (6) 96", T-8 lamp, Instant Start Ballast, NLO (BF: .85-.95)	Electronic	6	59	0.328	
<b><i>Circline Fluorescent Fixtures</i></b>							
FC12/1	FC12T9	Fluorescent, (1) 12" circular lamp, RS ballast	Mag-STD	1	32	0.031	
FC12/2	FC12T9	Fluorescent, (2) 12" circular lamp, RS ballast	Mag-STD	2	32	0.062	
FC16/1	FC16T9	Fluorescent, (1) 16" circular lamp	Mag-STD	1	40	0.035	
FC20	FC6T9	Fluorescent, Circlite, (1) 20W lamp, Preheat ballast	Mag-STD	1	20	0.020	
FC22	FC8T9	Fluorescent, Circlite, (1) 22W lamp, preheat ballast	Mag-STD	1	22	0.020	
FC32	FC12T9	Fluorescent, Circline, (1) 32W lamp, preheat ballast	Mag-STD	1	32	0.040	
FC40	FC16T9	Fluorescent, Circline, (1) 32W lamp, preheat ballast	Mag-STD	1	32	0.042	
FC6/1	FC6T9	Fluorescent, (1) 6" circular lamp, RS ballast	Mag-STD	1	20	0.025	
FC8/1	FC8T9	Fluorescent, (1) 8" circular lamp, RS ballast	Mag-STD	1	22	0.026	
FC8/2	FC8T9	Fluorescent, (2) 8" circular lamp, RS ballast	Mag-STD	2	22	0.052	
<b><i>U-Tube Fluorescent Fixtures</i></b>							
FU1EE	FU40T12/ES	Fluorescent, (1) U-Tube, ES lamp	Mag-ES	1	35	0.043	

<b>SORTED by</b>							
FIXTURE CODE	LAMP CODE	DESCRIPTION	BALLAST	LAMP/ FIXT	NOM. W/LAMP	kW/ FIXT	
FU1ILL	FU31T8/6	Fluorescent, (1) U-Tube, T-8 lamp, Instant Start ballast	Electronic	1	32	0.031	
FU1LL	FU31T8/6	Fluorescent, (1) U-Tube, T-8 lamp	Electronic	1	32	0.032	
FU1LL-R	FU31T8/6	Fluorescent, (1) U-Tube, T-8 lamp, RLO (BF<0.85)	Electronic	1	31	0.027	
FU2EE	FU40T12/ES	Fluorescent, (2) U-Tube, ES lamp	Mag-ES	2	35	0.072	
FU2ILL	FU31T8/6	Fluorescent, (2) U-Tube, T-8 lamp, Instand Start Ballast	Electronic	2	32	0.059	
FU2ILL/T4	FU31T8/6	Fluorescent, (2) U-Tube, T-8 lamp, Instand Start Ballast, tandem wired	Electronic	2	32	0.056	
FU2ILL/T4-R	FU31T8/6	Fluorescent, (2) U-Tube, T-8 lamp, Instand Start Ballast, RLO, tandem wired	Electronic	2	32	0.051	
FU2ILL-H	FU31T8/6	Fluorescent, (2) U-Tube, T-8 lamp, Instand Start HLO Ballast	Electronic	2	32	0.065	
FU2ILL-R	FU31T8/6	Fluorescent, (2) U-Tube, T-8 lamp, Instand Start RLO Ballast	Electronic	2	32	0.052	
FU2LL	FU31T8/6	Fluorescent, (2) U-Tube, T-8 lamp	Electronic	2	32	0.060	
FU2LL/T2	FU31T8/6	Fluorescent, (2) U-Tube, T-8 lamp, Tandem 4 lamp ballast	Electronic	2	32	0.059	
FU2LL-R	FU31T8/6	Fluorescent, (2) U-Tube, T-8 lamp, RLO (BF<0.85)	Electronic	2	31	0.054	
FU3EE	FU40T12/ES	Fluorescent, (3) U-Tube, ES lamp	Mag-ES	3	35	0.115	
FU3ILL	FU31T8/6	Fluorescent, (3) U-Tube, T-8 lamp, Instand Start Ballast	Electronic	3	32	0.089	
FU3ILL-R	FU31T8/6	Fluorescent, (3) U-Tube, T-8 lamp, Instand Start RLO Ballast	Electronic	3	32	0.078	
<b>Halogen Incandescent Fixtures</b>							
H100/1	H100	Halogen Incandescent, (1) 100W lamp		1	100	0.100	
H150/1	H150	Halogen Incandescent, (1) 150W lamp		1	150	0.150	
H150/2	H150	Halogen Incandescent, (2) 150W lamp		2	150	0.300	
H300/1	H300	Halogen Incandescent, (1) 300W lamp		1	300	0.300	
H42/1	H42	Halogen Incandescent, (1) 42W lamp		1	42	0.042	
H45/1	H45	Halogen Incandescent, (1) 45W lamp		1	45	0.045	
H45/2	H45	Halogen Incandescent, (2) 45W lamp		2	45	0.090	
H50/1	H50	Halogen Incandescent, (1) 50W lamp		1	50	0.050	

<b>SORTED by</b>						
FIXTURE CODE	LAMP CODE	DESCRIPTION	BALLAST	LAMP/ FIXT	NOM. W/LAMP	kW/ FIXT
H50/2	H50	Halogen Incandescent, (2) 50W lamp		2	50	0.100
H500/1	H500	Halogen Incandescent, (1) 500W lamp		1	500	0.500
H52/1	H52	Halogen Incandescent, (1) 52W lamp		1	52	0.052
H55/1	H55	Halogen Incandescent, (1) 55W lamp		1	55	0.055
H55/2	H55	Halogen Incandescent, (2) 55W lamp		2	55	0.110
H60/1	H60	Halogen Incandescent, (1) 60W lamp		1	60	0.060
H72/1	H72	Halogen Incandescent, (1) 72W lamp		1	72	0.072
H75/1	H75	Halogen Incandescent, (1) 75W lamp		1	75	0.075
H75/2	H75	Halogen Incandescent, (2) 75W lamp		2	75	0.150
H90/1	H90	Halogen Incandescent, (1) 90W lamp		1	90	0.090
H90/2	H90	Halogen Incandescent, (2) 90W lamp		2	90	0.180
HLV50/1	H50/LV	Halogen, (1) Low Voltage MR16 lamp		1	50	0.060
<b>High Pressure Sodium Fixtures</b>						
HPS100/1	HPS100	High Pressure Sodium, (1) 100W lamp		1	100	0.138
HPS1000/1	HPS1000	High Pressure Sodium, (1) 1000W lamp		1	1000	1.100
HPS150/1	HPS150	High Pressure Sodium, (1) 150W lamp		1	150	0.188
HPS200/1	HPS200	High Pressure Sodium, (1) 200W lamp		1	200	0.250
HPS250/1	HPS250	High Pressure Sodium, (1) 250W lamp		1	250	0.295
HPS310/1	HPS310	High Pressure Sodium, (1) 310W lamp		1	310	0.365
HPS35/1	HPS35	High Pressure Sodium, (1) 35W lamp		1	35	0.046
HPS360/1	HPS360	High Pressure Sodium, (1) 360W lamp		1	360	0.414
HPS400/1	HPS400	High Pressure Sodium, (1) 400W lamp		1	400	0.465
HPS50/1	HPS50	High Pressure Sodium, (1) 50W lamp		1	50	0.066
HPS70/1	HPS70	High Pressure Sodium, (1) 70W lamp		1	70	0.095

<b>SORTED by</b>								
FIXTURE	LAMP				LAMP/	NOM.	kW/	
CODE	CODE	DESCRIPTION	BALLAST	FIXT	W/LAMP	FIXT		
<b>Standard Incandescent Fixtures</b>								
I100/1	I100	Incandescent, (1) 100W lamp		1	100	0.100		
I100/2	I100	Incandescent, (2) 100W lamp		2	100	0.200		
I100/3	I100	Incandescent, (3) 100W lamp		3	100	0.300		
I100/4	I100	Incandescent, (4) 100W lamp		4	100	0.400		
I100/5	I100	Incandescent, (5) 100W lamp		5	100	0.500		
I1000/1	I1000	Incandescent, (1) 1000W lamp		1	1000	1.000		
I100E/1	I100/ES	Incandescent, (1) 100W ES lamp		1	90	0.090		
I100EL/1	I100/ES/LL	Incandescent, (1) 100W ES/LL lamp		1	90	0.090		
I120/1	I120	Incandescent, (1) 120W lamp		1	120	0.120		
I120/2	I120	Incandescent, (2) 120W lamp		2	120	0.240		
I125/1	I125	Incandescent, (1) 125W lamp		1	125	0.125		
I135/1	I135	Incandescent, (1) 135W lamp		1	135	0.135		
I135/2	I135	Incandescent, (2) 135W lamp		2	135	0.270		
I15/1	I15	Incandescent, (1) 15W lamp		1	15	0.015		
I15/2	I15	Incandescent, (2) 15W lamp		2	15	0.030		
I150/1	I150	Incandescent, (1) 150W lamp		1	150	0.150		
I150/2	I150	Incandescent, (2) 150W lamp		2	150	0.300		
I1500/1	I1500	Incandescent, (1) 1500W lamp		1	1500	1.500		
I150E/1	I150/ES	Incandescent, (1) 150W ES lamp		1	135	0.135		
I150EL/1	I150/ES/LL	Incandescent, (1) 150W ES/LL lamp		1	135	0.135		
I170/1	I170	Incandescent, (1) 170W lamp		1	170	0.170		
I20/1	I20	Incandescent, (1) 20W lamp		1	20	0.020		
I20/2	I20	Incandescent, (2) 20W lamp		2	20	0.040		



<b>SORTED by</b>							
FIXTURE	LAMP				LAMP/	NOM.	kW/
CODE	CODE	DESCRIPTION	BALLAST	FIXT	W/LAMP	FIXT	FIXT
I200/1	I200	Incandescent, (1) 200W lamp		1	200	0.200	
I200/2	I200	Incandescent, (2) 200W lamp		2	200	0.400	
I2000/1	I2000	Incandescent, (1) 2000W lamp		1	2000	2.000	
I200L/1	I200/LL	Incandescent, (1) 200W LL lamp		1	200	0.200	
I25/1	I25	Incandescent, (1) 25W lamp		1	25	0.025	
I25/2	I25	Incandescent, (2) 25W lamp		2	25	0.050	
I25/4	I25	Incandescent, (4) 25W lamp		4	25	0.100	
I250/1	I250	Incandescent, (1) 250W lamp		1	250	0.250	
I300/1	I300	Incandescent, (1) 300W lamp		1	300	0.300	
I34/1	I34	Incandescent, (1) 34W lamp		1	34	0.034	
I34/2	I34	Incandescent, (2) 34W lamp		2	34	0.068	
I36/1	I36	Incandescent, (1) 36W lamp		1	36	0.036	
I40/1	I40	Incandescent, (1) 40W lamp		1	40	0.040	
I40/2	I40	Incandescent, (2) 40W lamp		2	40	0.080	
I400/1	I400	Incandescent, (1) 400W lamp		1	400	0.400	
I40E/1	I40/ES	Incandescent, (1) 40W ES lamp		1	34	0.034	
I40EL/1	I40/ES/LL	Incandescent, (1) 40W ES/LL lamp		1	34	0.034	
I42/1	I42	Incandescent, (1) 42W lamp		1	42	0.042	
I448/1	I448	Incandescent, (1) 448W lamp		1	448	0.448	
I45/1	I45	Incandescent, (1) 45W lamp		1	45	0.045	
I50/1	I50	Incandescent, (1) 50W lamp		1	50	0.050	
I50/2	I50	Incandescent, (2) 50W lamp		2	50	0.100	
I500/1	I500	Incandescent, (1) 500W lamp		1	500	0.500	
I52/1	I52	Incandescent, (1) 52W lamp		1	52	0.052	

<b>SORTED by</b>								
FIXTURE	LAMP				LAMP/	NOM.	kW/	
CODE	CODE	DESCRIPTION	BALLAST	FIXT	W/LAMP	FIXT		
I52/2	I52	Incandescent, (2) 52W lamp		2	52	0.104		
I54/1	I54	Incandescent, (1) 54W lamp		1	54	0.054		
I54/2	I54	Incandescent, (2) 54W lamp		2	54	0.108		
I55/1	I55	Incandescent, (1) 55W lamp		1	55	0.055		
I55/2	I55	Incandescent, (2) 55W lamp		2	55	0.110		
I60/1	I60	Incandescent, (1) 60W lamp		1	60	0.060		
I60/2	I60	Incandescent, (2) 60W lamp		2	60	0.120		
I60/3	I60	Incandescent, (3) 60W lamp		3	60	0.180		
I60/4	I60	Incandescent, (4) 60W lamp		4	60	0.240		
I60/5	I60	Incandescent, (5) 60W lamp		5	60	0.300		
I60E/1	I60/ES	Incandescent, (1) 60W ES lamp		1	52	0.052		
I60EL/1	I60/ES/LL	Incandescent, (1) 60W ES/LL lamp		1	52	0.052		
I65/1	I65	Incandescent, (1) 65W lamp		1	65	0.065		
I65/1	I65	Incandescent, (1) 65W lamp		1	65	0.065		
I65/2	I65	Incandescent, (2) 65W lamp		2	65	0.130		
I67/1	I67	Incandescent, (1) 67W lamp		1	67	0.067		
I67/2	I67	Incandescent, (2) 67W lamp		2	67	0.134		
I67/3	I67	Incandescent, (3) 67W lamp		3	67	0.201		
I69/1	I69	Incandescent, (1) 69W lamp		1	69	0.069		
I7.5/1	I7.5	Tungsten exit light, (1) 7.5 W lamp, used in night light application		1	7.5	0.008		
I7.5/2	I7.5	Tungsten exit light, (2) 7.5 W lamp, used in night light application		2	7.5	0.015		
I72/1	I72	Incandescent, (1) 72W lamp		1	72	0.072		
I75/1	I75	Incandescent, (1) 75W lamp		1	75	0.075		
I75/2	I75	Incandescent, (2) 75W lamp		2	75	0.150		

<b>SORTED by</b>						
FIXTURE CODE	LAMP CODE	DESCRIPTION	BALLAST	LAMP/ FIXT	NOM. W/LAMP	kW/ FIXT
I75/3	I75	Incandescent, (3) 75W lamp		3	75	0.225
I75/4	I75	Incandescent, (4) 75W lamp		4	75	0.300
I750/1	I750	Incandescent, (1) 750W lamp		1	750	0.750
I75E/1	I75/ES	Incandescent, (1) 75W ES lamp		1	67	0.067
I75EL/1	I75/ES/LL	Incandescent, (1) 75W ES/LL lamp		1	67	0.067
I80/1	I80	Incandescent, (1) 80W lamp		1	80	0.080
I85/1	I85	Incandescent, (1) 85W lamp		1	85	0.085
I90/1	I90	Incandescent, (1) 90W lamp		1	90	0.090
I90/2	I90	Incandescent, (2) 90W lamp		2	90	0.180
I90/3	I90	Incandescent, (3) 90W lamp		3	90	0.270
I93/1	I93	Incandescent, (1) 93W lamp		1	93	0.093
I95/1	I95	Incandescent, (1) 95W lamp		1	95	0.095
I95/2	I95	Incandescent, (2) 95W lamps		2	95	0.190
<b><i>Pulse Start Metal Halide Fixtures</i></b>						
MH175PS/1	MH175PS	Pulse Start Metal Halide, (1) 175W lamp, Pulse Start CWA Ballast	Mag-CWA	1	175	0.208
MH200PS/1	MH200PS	Pulse Start Metal Halide, (1) 200W lamp, Pulse Start CWA Ballast	Mag-CWA	1	200	0.232
MH250PS/1	MH250PS	Pulse Start Metal Halide, (1) 250W lamp, Pulse Start CWA Ballast	Mag-CWA	1	250	0.288
MH320PS/1	MH320PS	Pulse Start Metal Halide, (1) 320W lamp, Pulse Start CWA Ballast	Mag-CWA	1	320	0.365
MH350PS/1	MH350PS	Pulse Start Metal Halide, (1) 350W lamp, Pulse Start CWA Ballast	Mag-CWA	1	350	0.400
MH400PS/1	MH400PS	Pulse Start Metal Halide, (1) 400W lamp, Pulse Start CWA Ballast	Mag-CWA	1	400	0.456
MH450PS/1	MH450PS	Pulse Start Metal Halide, (1) 450W lamp, Pulse Start CWA Ballast	Mag-CWA	1	450	0.506
MH750PS/1	MH750PS	Pulse Start Metal Halide, (1) 750W lamp, Pulse Start CWA Ballast	Mag-CWA	1	750	0.818
MH1000PS/1	MH1000PS	Pulse Start Metal Halide, (1) 1000W lamp, Pulse Start CWA Ballast	Mag-CWA	1	1000	1.080
<b><i>Metal Halide Fixtures</i></b>						

<b>SORTED by</b>						
FIXTURE CODE	LAMP CODE	DESCRIPTION	BALLAST	LAMP/ FIXT	NOM. W/LAMP	kW/ FIXT
MH100/1	MH100	Metal Halide, (1) 100W lamp		1	100	0.128
MH1000/1	MH1000	Metal Halide, (1) 1000W lamp		1	1000	1.080
MH150/1	MH150	Metal Halide, (1) 150W lamp		1	150	0.190
MH1500/1	MH1500	Metal Halide, (1) 1500W lamp		1	1500	1.610
MH175/1	MH175	Metal Halide, (1) 175W lamp		1	175	0.215
MH250/1	MH250	Metal Halide, (1) 250W lamp		1	250	0.295
MH32/1	MH32	Metal Halide, (1) 32W lamp		1	32	0.043
MH400/1	MH400	Metal Halide, (1) 400W lamp		1	400	0.458
MH400/2	MH400	Metal Halide, (2) 400W lamp		2	400	0.916
MH50/1	MH50	Metal Halide, (1) 50W lamp		1	50	0.072
MH70/1	MH70	Metal Halide, (1) 70W lamp		1	70	0.095
MH750/1	MH750	Metal Halide, (1) 750W lamp		1	750	0.850
<b><i>Mercury Vapor Fixtures</i></b>						
MV100/1	MV100	Mercury Vapor, (1) 100W lamp		1	100	0.125
MV1000/1	MV1000	Mercury Vapor, (1) 1000W lamp		1	1000	1.075
MV175/1	MV175	Mercury Vapor, (1) 175W lamp		1	175	0.205
MV250/1	MV250	Mercury Vapor, (1) 250W lamp		1	250	0.290
MV40/1	MV40	Mercury Vapor, (1) 40W lamp		1	40	0.050
MV400/1	MV400	Mercury Vapor, (1) 400W lamp		1	400	0.455
MV400/2	MV400	Mercury Vapor, (2) 400W lamp		2	400	0.910
MV50/1	MV50	Mercury Vapor, (1) 50W lamp		1	50	0.074
MV700/1	MV700	Mercury Vapor, (1) 700W lamp		1	700	0.780
MV75/1	MV75	Mercury Vapor, (1) 75W lamp		1	75	0.093
<b><i>EXIT Sign Fixtures</i></b>						

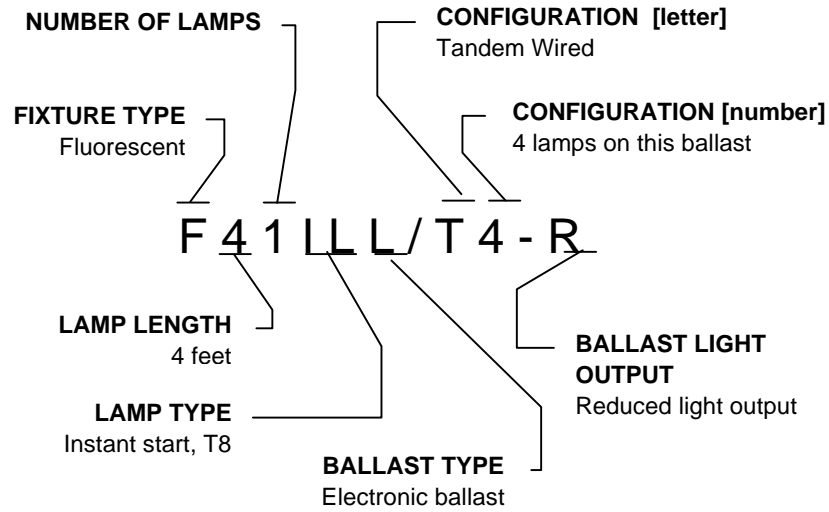
<b>SORTED by</b>							
FIXTURE	LAMP				LAMP/	NOM.	kW/
CODE	CODE	DESCRIPTION	BALLAST	FIXT	W/LAMP	FIXT	FIXT
ECF5/1	CFT5W	EXIT Compact Fluorescent, (1) 5W lamp	Mag-STD	1	5	0.009	
ECF5/2	CFT5W	EXIT Compact Fluorescent, (2) 5W lamp	Mag-STD	2	5	0.020	
ECF7/1	CFT7W	EXIT Compact Fluorescent, (1) 7W lamp	Mag-STD	1	7	0.010	
ECF7/2	CFT7W	EXIT Compact Fluorescent, (2) 7W lamp	Mag-STD	2	7	0.021	
ECF8/1	F8T5	EXIT T5 Fluorescent, (1) 8W lamp	Mag-STD	1	8	0.012	
ECF8/2	F8T5	EXIT T5 Fluorescent, (2) 8W lamp	Mag-STD	2	8	0.024	
ECF9/1	CFT9W	EXIT Compact Fluorescent, (1) 9W lamp	Mag-STD	1	9	0.012	
ECF9/2	CFT9W	EXIT Compact Fluorescent, (2) 9W lamp	Mag-STD	2	9	0.020	
EI10/2	I10	EXIT Incandescent, (2) 10W lamp		2	10	0.020	
EI15/1	I15	EXIT Incandescent, (1) 15W lamp		1	15	0.015	
EI15/2	I15	EXIT Incandescent, (2) 15W lamp		2	15	0.030	
EI20/1	I20	EXIT Incandescent, (1) 20W lamp		1	20	0.020	
EI20/2	I20	EXIT Incandescent, (2) 20W lamp		2	20	0.040	
EI25/1	I25	EXIT Incandescent, (1) 25W lamp		1	25	0.025	
EI25/2	I25	EXIT Incandescent, (2) 25W lamp		2	25	0.050	
EI34/1	I34	EXIT Incandescent, (1) 34W lamp		1	34	0.034	
EI34/2	I34	EXIT Incandescent, (2) 34W lamp		2	34	0.068	
EI40/1	I40	EXIT Incandescent, (1) 40W lamp		1	40	0.040	
EI40/2	I40	EXIT Incandescent, (2) 40W lamp		2	40	0.080	
EI5/1	I5	EXIT Incandescent, (1) 5W lamp		1	5	0.005	
EI5/2	I5	EXIT Incandescent, (2) 5W lamp		2	5	0.010	
EI50/2	I50	EXIT Incandescent, (2) 50W lamp		2	50	0.100	
EI7.5/1	I7.5	EXIT Tungsten, (1) 7.5 W lamp		1	7.5	0.008	
EI7.5/2	I7.5	EXIT Tungsten, (2) 7.5 W lamp		2	7.5	0.015	

<b>SORTED by</b>						
FIXTURE CODE	LAMP CODE	DESCRIPTION	BALLAST	LAMP/ FIXT	NOM. W/LAMP	kw/ FIXT
ELED2/1	LED2W	EXIT Light Emmitting Diode, (1) 2W lamp, Single Sided		1	2	0.006
ELED2/2	LED2W	EXIT Light Emmitting Diode, (2) 2W lamp, Dual Sided		2	2	0.009
<b><i>Removed Fixture</i></b>						
Removed	None	Fixture completely removed from service		0	0	0.000

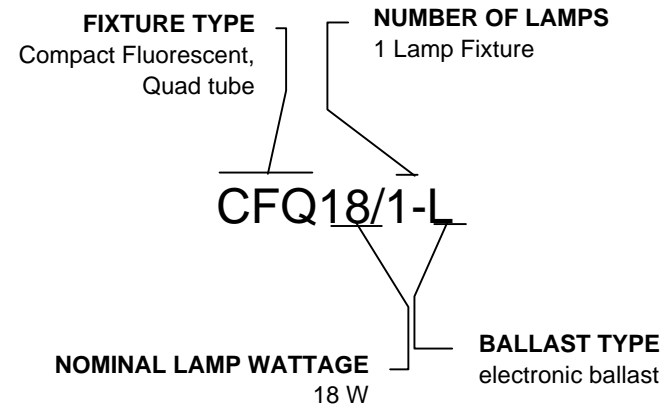
# Fixture Code Legend

Revised: 6/24/2002

## Sample Linear Fluorescent Fixture Code:



## Sample of Other Fixture Code:



**Fixture Type**

<b>CF</b>	Compact Fluorescent
<b>CFD</b>	Compact Fluorescent, double-D shape
<b>CFM</b>	Compact Fluorescent, Multi tube
<b>CFT</b>	Compact Fluorescent, Twin tube (including "Biaxial" fixtures)
<b>CFQ</b>	Compact Fluorescent, Quad tube
<b>ECF</b>	Exit sign, Compact Fluorescent
<b>EI</b>	Exit sign, Incandescent
<b>ELED</b>	Exit sign, LED
<b>F</b>	Fluorescent, linear
<b>FC</b>	Fluorescent, Circline
<b>FU</b>	Fluorescent, U-tube
<b>H</b>	Halogen Incandescent
<b>HPS</b>	High Pressure Sodium
<b>I</b>	Incandescent
<b>MH</b>	Metal Halide
<b>MV</b>	Mercury Vapor

**Lamp Type***for fluorescent fixtures*

<b>A</b>	"F25T12" type—25 watt, 4 ft, T12 lamp
<b>B</b>	T4, Instant Start
<b>IL</b>	T8, Instant start
<b>L</b>	T8, rapid start
<b>E</b>	T12, Energy efficient
<b>EH</b>	T12, Energy efficient, High output
<b>EV</b>	T12, Energy efficient, Very high output
<b>P</b>	T5, Instant Start
<b>PH</b>	T5HO, Instant Start
<b>S</b>	T12, Standard wattage
<b>SH</b>	T12, Standard, High output lamp
<b>SV</b>	T12, Standard, Very high output lamp
<b>T</b>	T10 lamp
<b>WL</b>	T8, Instant start, Energy saver

**Ballast Type***for fluorescent fixtures*

<b>L</b>	electronic
<b>S</b>	Standard magnetic
<b>E</b>	Energy efficient magnetic

**Configuration [letter]**

<b>T</b>	Tandem wired fixture
<b>D</b>	Delamped fixture, i.e. some lamps Permanently removed but ballasts remain

**Configuration [number]***for de-lamped fixtures*

Number signifies the total number of ballasts in the fixture: e.g. An "F42EE/D2" is an "F44EE" with two lamps removed so that there is one extraneous ballast.

*for tandem wired ballasts*

Number signifies the total number of lamps being run by the ballast: e.g. An "F42LL/T4" would indicate that a four-lamp ballast is wired to run two two-lamp fixtures.

*with no preceding letter*

Number indicates the number of ballasts in an ambiguous multiple ballast fixture: e.g. An "F43ILL/2" indicates a three-lamp fixture with two ballasts (as is often the case if there is A/B switching).

**Ballast Light Output**

<b>R</b>	Reduced light output
<b>H</b>	High light output
<b>V</b>	Very high light output



**Other Abbreviations**

BF = Ballast Factor

RLO = Reduced Light Output Ballast (<.85 Ballast Factor)

NLO = Normal Light Output Ballast (.85 to .95 Ballast Factor)

HLO = High Light Output Ballast (.96 to 1.1 Ballast Factor)

VHLO = Very High Light Output Ballast (> 1.1 Ballast Factor)

Mag-ES = Magnetic, Energy Saving Ballast

Elec-Prem = Premium Electronic Ballast. Characterized by reduced input wattage compared to standard models, with no reduction in light output. Also known as 3rd Generation.

Elec-Prem-R = Same as Elec-Prem but with RLO Ballast Factor.

CRI = Color Rendering Index

ISR = Instant Start Rating at 3 Hours per Start

RSR = Rapid Start Rating at 3 Hours per Start

F32T8-STD = 70 to 84 CRI, 20,000 Hour RSR Lamp

F32T8-PREM = 85 or Greater CRI, 24,000 Hour RSR Lamp

F32T8-PREM-ES = Energy Saving T8 Lamp, 30 Watt Nominal, 82 or Greater CRI, 15,000 Hour ISR Lamp

PS=Pulse Start Metal Halide

kW = kiloWatts

W = Watts

(G1) = 1st Generation T8 Lighting, as Defined in R.01.08.028, ALJ Thomas Draft Decision of 2/19/02

(G2) = 2nd Generation T8 Lighting, as Defined in R.01.08.028, ALJ Thomas Draft Decision of 2/19/02

(G3) = 3rd Generation T8 Lighting, as Defined in R.01.08.028, ALJ Thomas Draft Decision of 2/19/02

**Note:**

- 1) The column labeled kW/Fixt in the data table includes ballast loads.
- 2) The kW/Fixt values represent an average value, rounded to the nearest whole watt.
- 3) The nominal watts per lamp are for reference only.